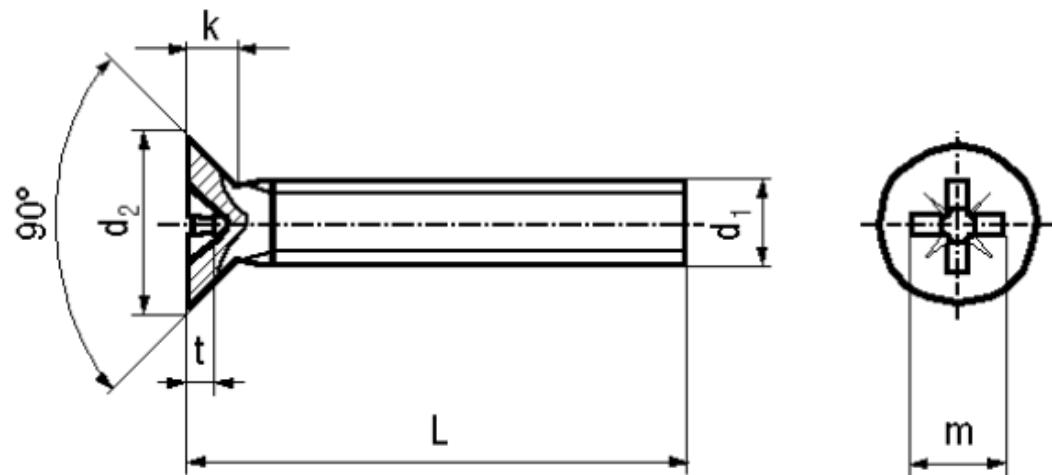


## BN 3310

Cross recessed flat countersunk head screws  
Pozidriv Z

DIN 965 A  
~ISO 7046  
~UNI 7688



Material	Stainless steel	Quality	A4
----------	-----------------	---------	----

Article No. - 1544284	
d <sub>1</sub>	M4
L	6
d <sub>2</sub>	7,5
k max.	2,2
Pozidriv	2
m~	4
t min.	1,6
t max.	2,06

DIN 965: Standard withdrawn

All lengths fully threaded  
Countersink must be designed according to the corresponding standard!

Screwdriver Bits 1/4": BN 31514 and BN 31516 / CG 1.