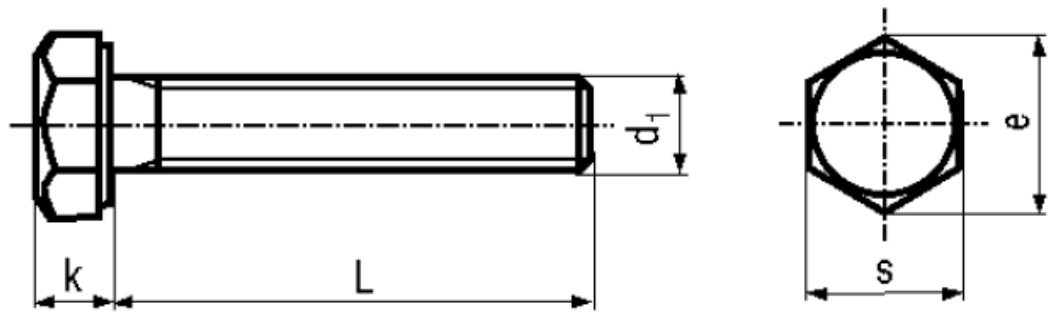


BN 502

Hexagon head screws
fully threaded

DIN 933
ISO 4017
~UNI 5739



Material	Brass	Surface	plain
----------	--------------	---------	--------------

Article No. - 1192809

d ₁	M4
L	20
e	7,66
k	2,8
s	7

DIN 933: Standard withdrawn

M10; M12: New Wrench size according to ISO 272