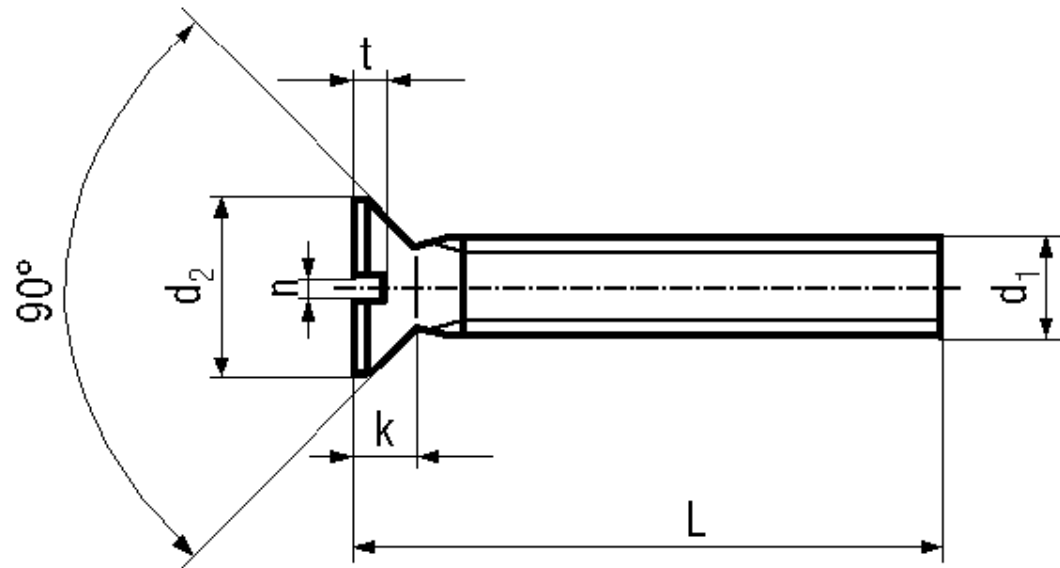


BN 655

Slotted flat countersunk head screws

DIN 963 A
~ISO 2009
~UNI 6109



Material	Stainless steel	Quality	A4
----------	-----------------	---------	----

Article No. - 1247778

d_1	M4
L	12
d_2	7,5
k max.	2,2
n	1
t min.	0,8

DIN 963: Standard withdrawn

All lengths fully threaded.

Slotted flat countersunk head screws with small head VSM 13328: BN 658