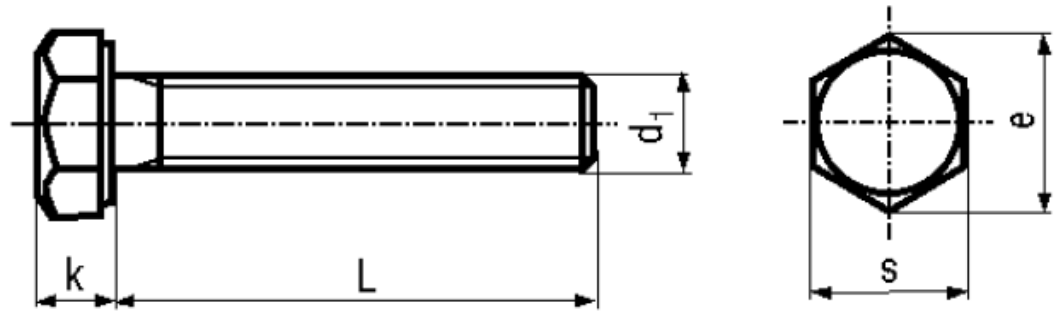


## BN 622

Hexagon head screws  
fully threaded

DIN 933  
ISO 4017  
~UNI 5739



Material  Quality

### Article No. - 1237829

d <sub>1</sub>	M4
L	10
e	7,66
k	2,8
s	7

DIN 933: Standard withdrawn

Hex cap locking screws eco-fix®: BN 5951

WAF's according to ISO on request.

The current property class on the market is class 70 in A2-70 / A4-70 (tensile strenght 700 N/mm2).