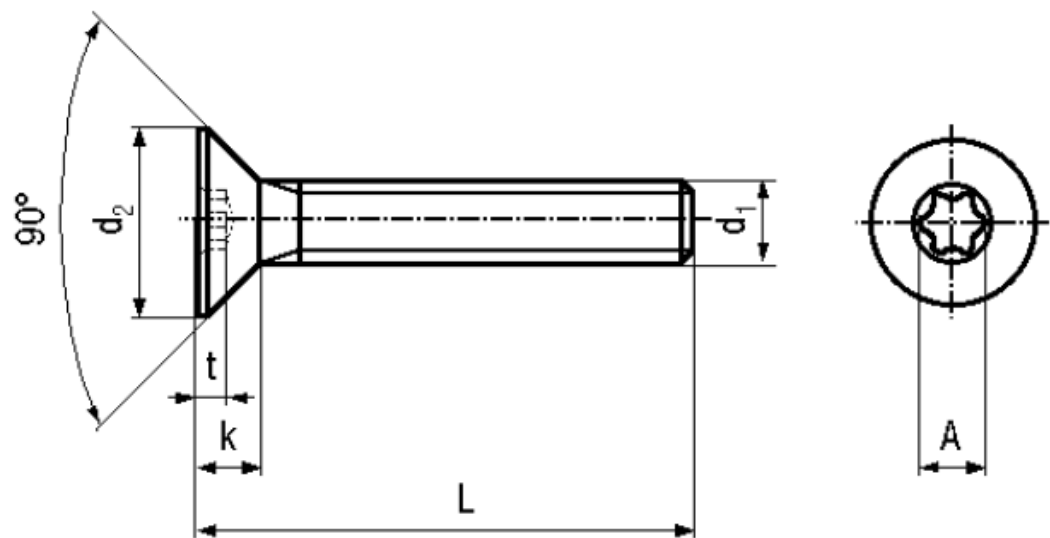


## BN 4851 - ISO 14581

Hexalobular socket flat countersunk head screws

ISO 14581



Material	Steel	Quality	08.8 / 8.8
Surface	zinc plated blue		

### Article No. - 1148540

d <sub>1</sub>	M4
L	10
d <sub>2</sub> max.	8,4
k max.	2,7
c	X20
t max.	1,53
A~	3,95