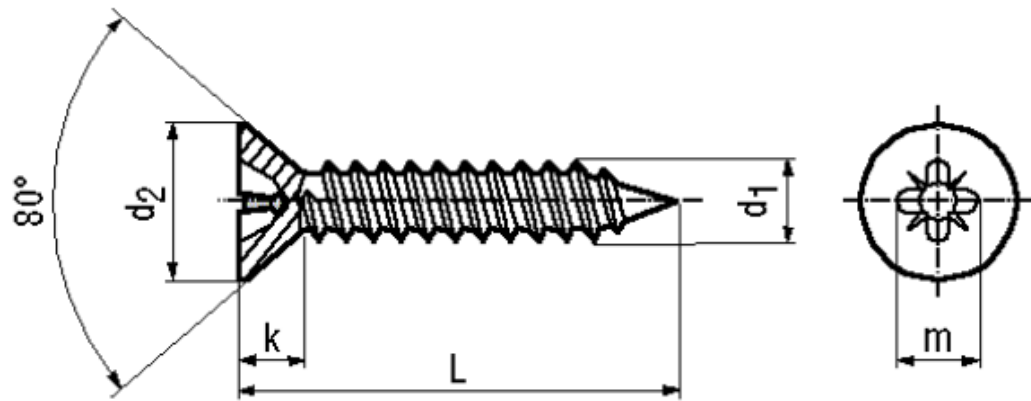


BN 14066 - DIN 7982 C - ~ISO 7050

Cross recessed flat countersunk head tapping screws
 Pozidriv Z, with cone end type C
 case-hardened

DIN 7982 C
 ~ISO 7050
 ~UNI 6955AB



Material	Steel	Hardness	450 HV
Surface	zinc plated blue		

Article No. - 2098458	
d ₁	ST 4,2
L	9,5
d ₂ max.	8,1
k~	2,5
Pozidriv	2
m~	4,4

DIN 7982: Standard withdrawn

Countersink must be designed according to the corresponding standard!

Screwdriver Bits 1/4": BN 31514 and BN 31516 / CG 1

Fasteners steel case-hardened ≥ 320 HV with electroplated coatings: Susceptible to hydrogen embrittlement!