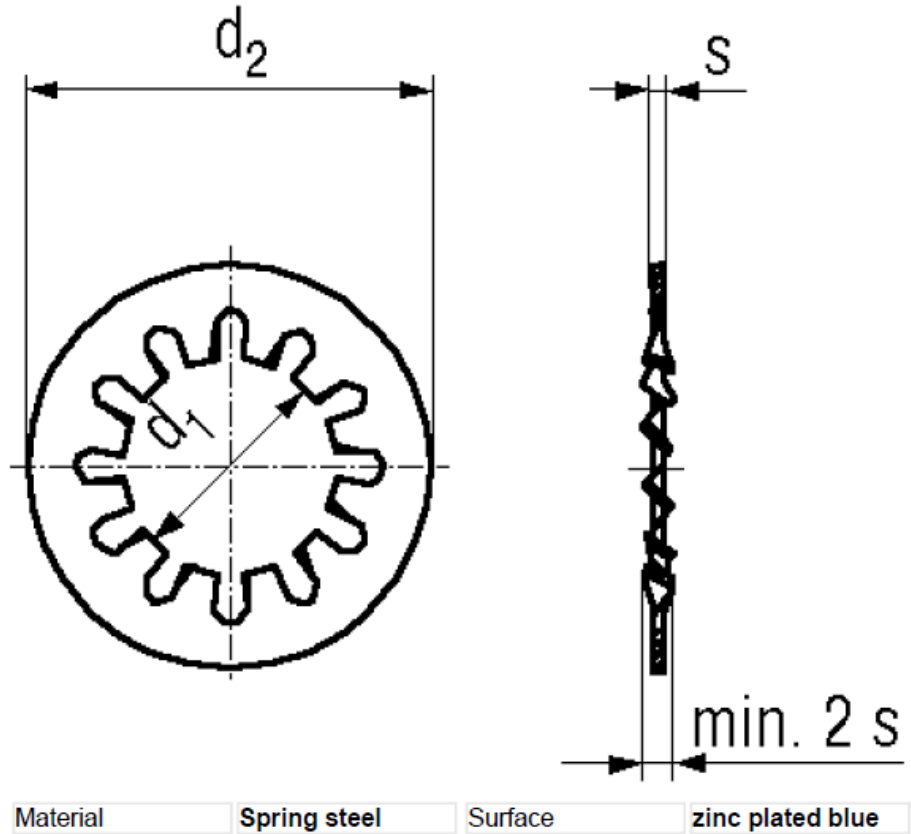


## BN 790 - DIN 6797 J

Toothed lock washers  
type J, internal toothed

DIN 6797 J  
~UNI 8841 J



Article No. - 1279432	
for thread	M3
d <sub>1</sub> min.	3,2
d <sub>2</sub> max.	6
s	0,4

### Alternative:

Depending on the technical manufacturing possibilities, spring steel elements are equally available with an inorganic or mechanical zinc-plating (availability, prices and delivery periods on request). These procedures exclude the risk of varied breakage due to hydrogen brittleness, his being liable to appear in acid baths or during electroplating (zinc-plating).