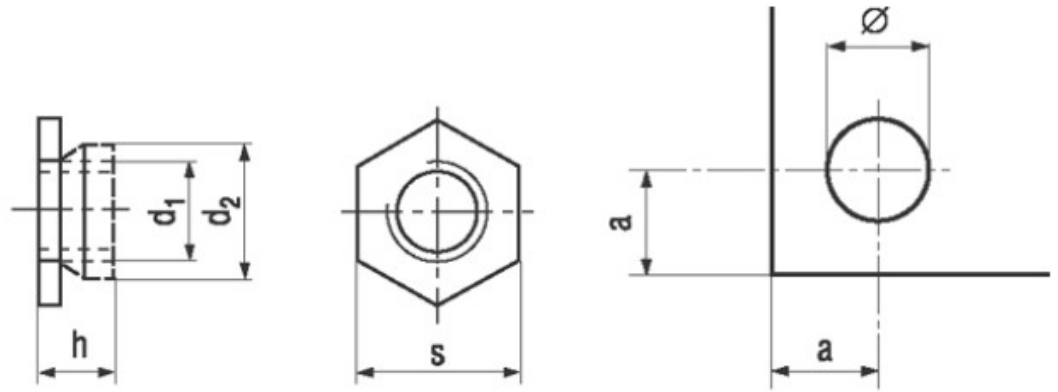


BN 642

Self clinching insert nuts



Material	Steel	Quality	A1
----------	-------	---------	----

Article No. - 1242679	
d_1	M3
Sheet thickness	1,5-2,3
d_2 max.	5,39
h max.	1,5
s	6,4
Hole size	5,4
Distance to edge	

For sheet metal with max. hardness HRB 70.