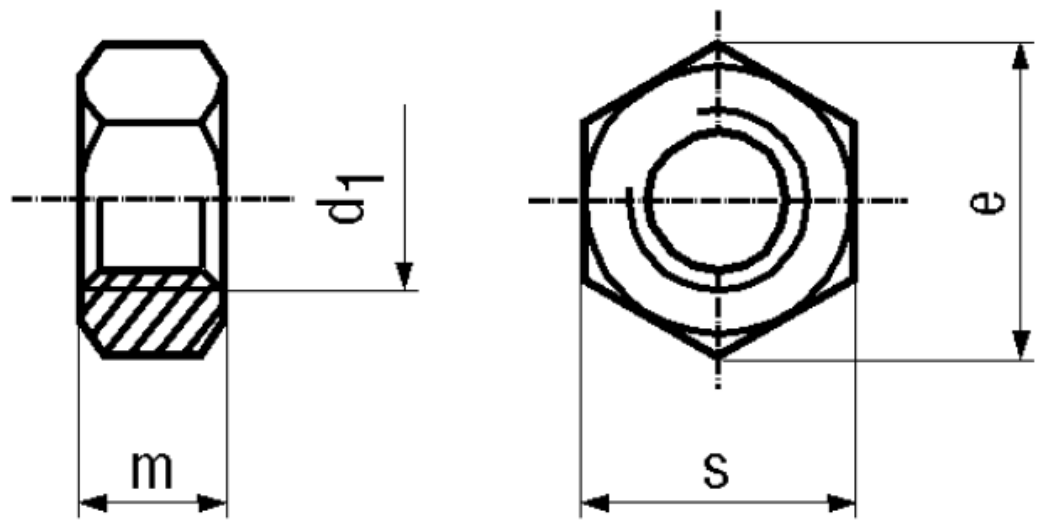


BN 599 - DIN 934 - ~ISO 4032

Hexagon nuts ~0,8d

DIN 934
~ISO 4032
~UNI 5588



Material Surface

Article No. - 1229516	
d_1	M3
e	6,01
m	2,4
s	5,5

DIN 934: Standard withdrawn
Wrench size according to ISO 272 on request.