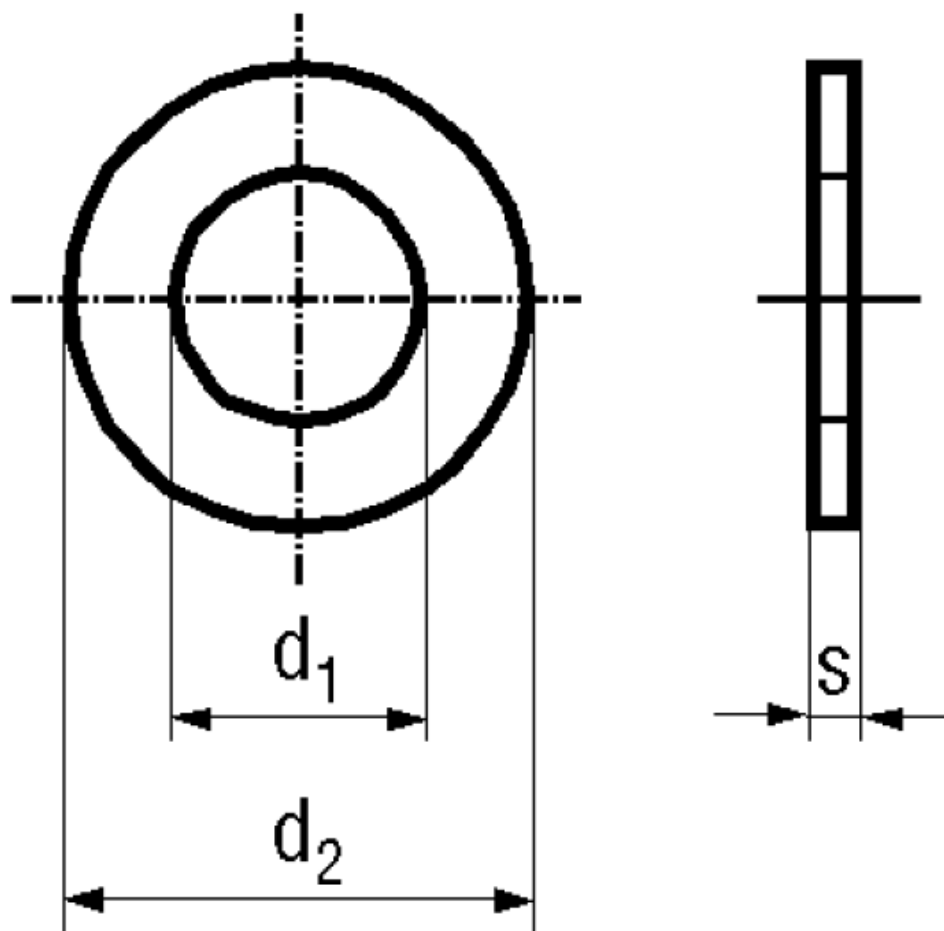


BN 1414 - DIN 433 - ~ISO 7092

Flat washers
without chamfer, for screws with
cylindrical head

DIN 433
~ISO 7092



Material	Stainless steel	Hardness	140 HV
Quality	A2	Hardness grade	140 HV

Article No. - 1170198

fit for	M3
d_1	3,2
d_2	6
s	0,5

DIN 433: Standard withdrawn