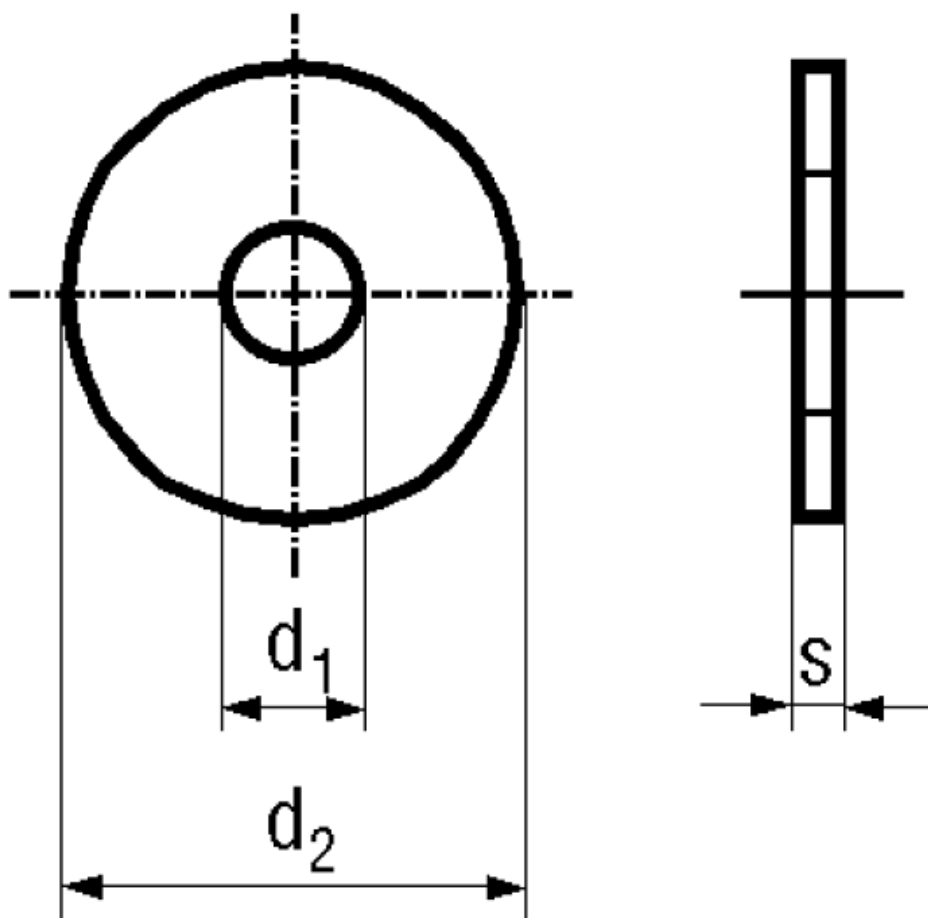


BN 1356 - DIN 9021 - ~ISO 7093

Flat washers
without chamfer

DIN 9021
~ISO 7093
~UNI 6593



| | | | |
|----------|-----------------|----------------|--------|
| Material | Stainless steel | Hardness | 140 HV |
| Quality | A2 | Hardness grade | 140 HV |

Article No. - 1117122

| | |
|---------|-----|
| fit for | M3 |
| d_1 | 3,2 |
| d_2 | 9 |
| s | 0,8 |

DIN 9021: Standard withdrawn