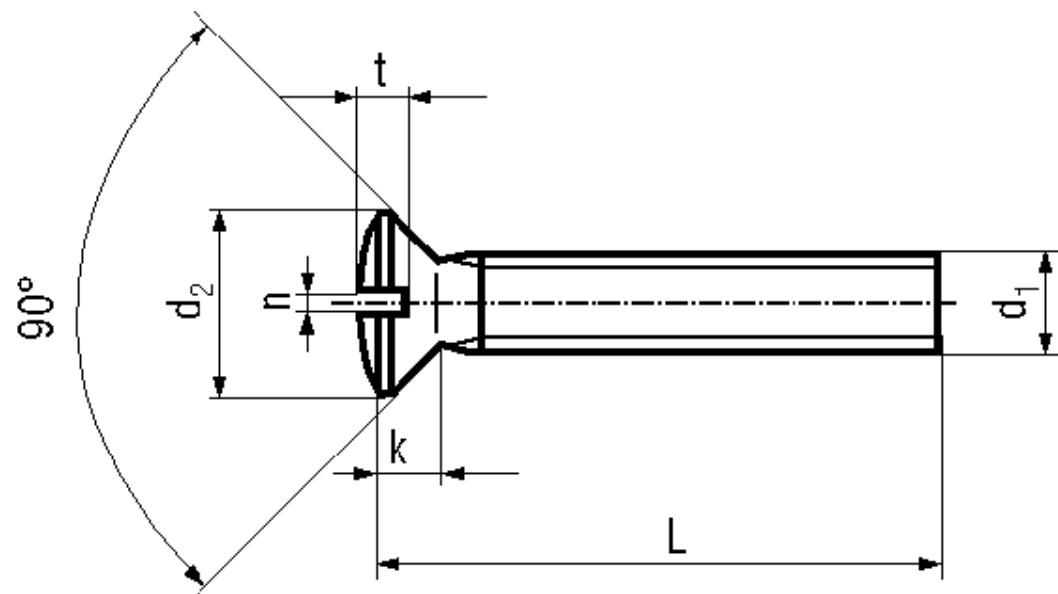


## BN 656

Slotted oval countersunk head screws

DIN 964 A  
~ISO 2010  
~UNI 6110



Material  Quality

Article No. - 1114425	
d <sub>1</sub>	M3
L	6
d <sub>2</sub>	5,6
k max.	1,65
n	0,8
t min.	1,2

DIN 964: Standard withdrawn

All lengths fully threaded.

Slotted oval countersunk head with small head: BN 659