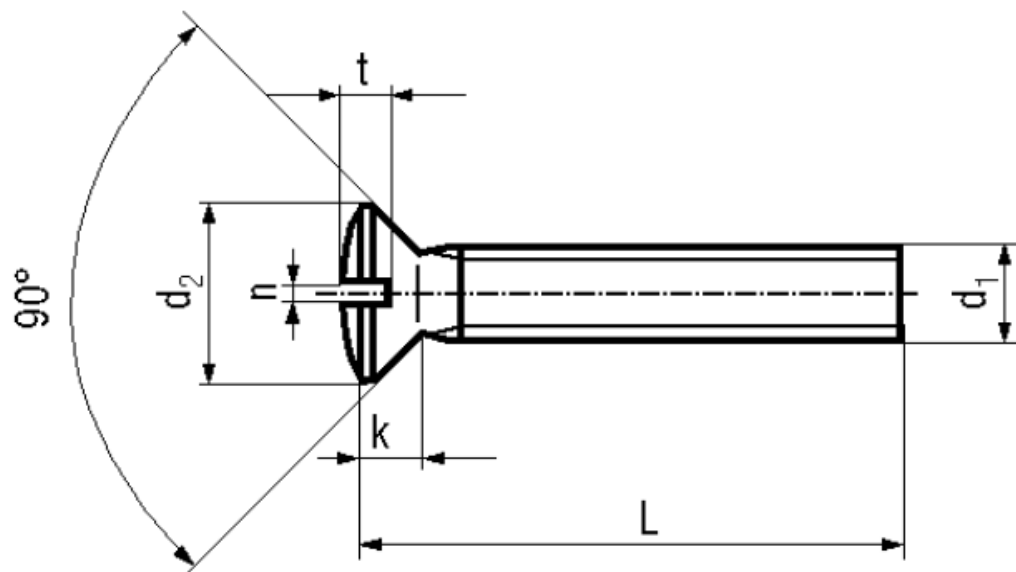


## BN 541

Slotted oval countersunk head screws

DIN 964 A  
~ISO 2010  
~UNI 6110



Material	<b>Brass</b>	Surface	<b>nickel plated</b>
----------	--------------	---------	----------------------

### Article No. - 1208713

d <sub>1</sub>	M3
L	6
d <sub>2</sub>	5,6
k max.	1,65
n	0,8
t min.	1,2

DIN 964: Standard withdrawn