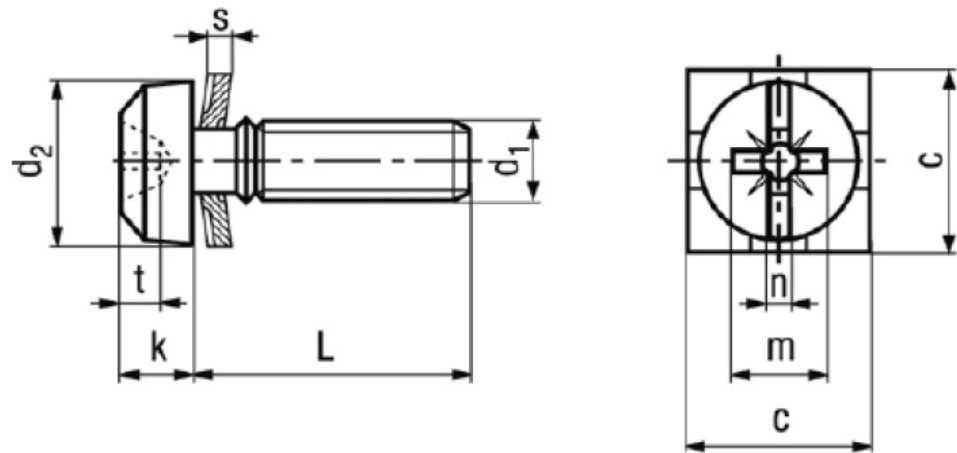


## BN 14552

Cross recessed pan head screws  
 «Freedriv»  
 Pozidriv Z with slot, with captive  
 square flex washer  
 Freedriv



Trade mark	Freedriv	Quality	5.8
Material	Steel	Tensile strength	500 N/mm <sup>2</sup>
Surface	zinc plated yellow	Elongation after fracture	min. 10%

### Article No. - 1422197

d <sub>1</sub>	M3
L	6
d <sub>2</sub> max.	6
k max.	2,4
Freedriv Pozidriv	1
m~	3,1
t min.	1,45
t max.	1,8
n	0,6
c	6,6
s	1