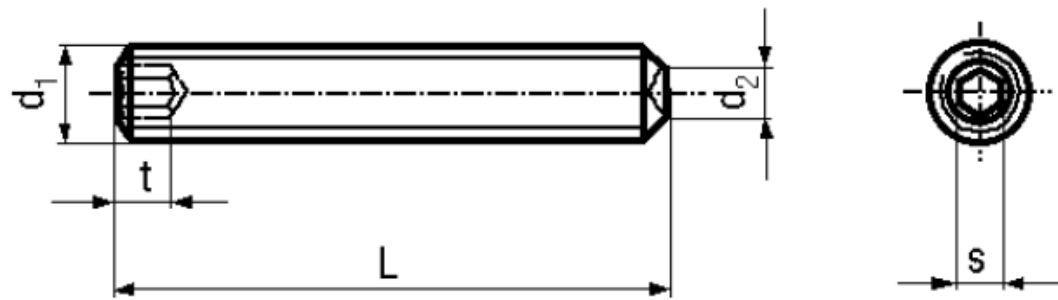


BN 621

Hexagon socket set screws
with cup point

DIN 916
ISO 4029
~UNI 5929



Material	Stainless steel	Quality	A2
----------	------------------------	---------	-----------

Article No. - 1114883	
d ₁	M3
L	4
d ₂	1,15-1,4
s	1,5
t min.	1,2

DIN 916: Standard withdrawn

M1,4: Not included in ISO 4029.