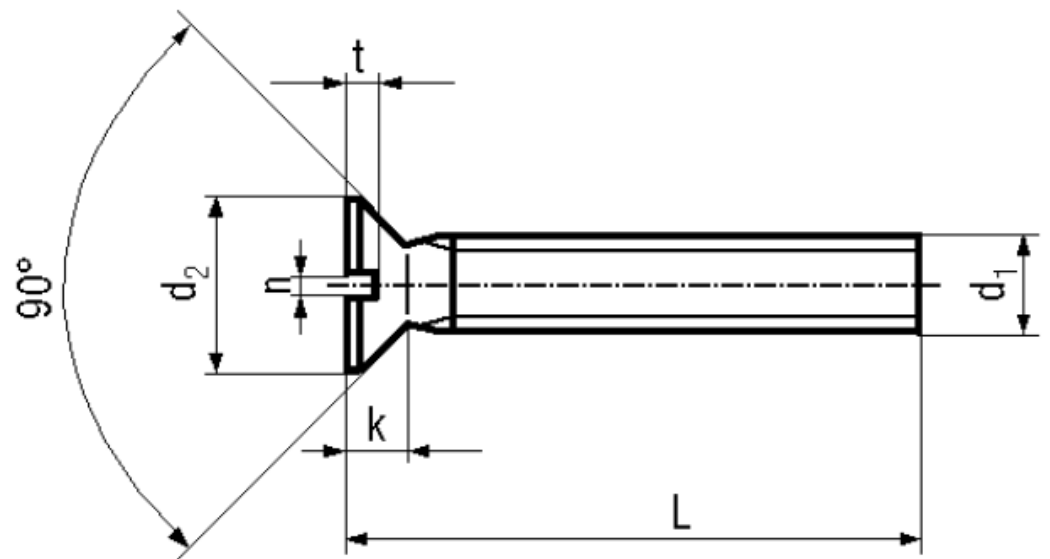


## BN 357

Slotted flat countersunk head screws

DIN 963 A  
~ISO 2009  
~UNI 6109



Material	<b>Steel</b>	Tensile strength	<b>400 N/mm2</b>
Surface	<b>zinc plated blue</b>	Elongation after fracture	<b>min. 14%</b>
Quality	<b>4.8</b>		

Article No. - 1140337	
d <sub>1</sub>	M3
L	40
d <sub>2</sub> max.	5,6
k max.	1,65
n	0,8
t min.	0,6

DIN 963 A: Standard withdrawn  
All lengths fully threaded.