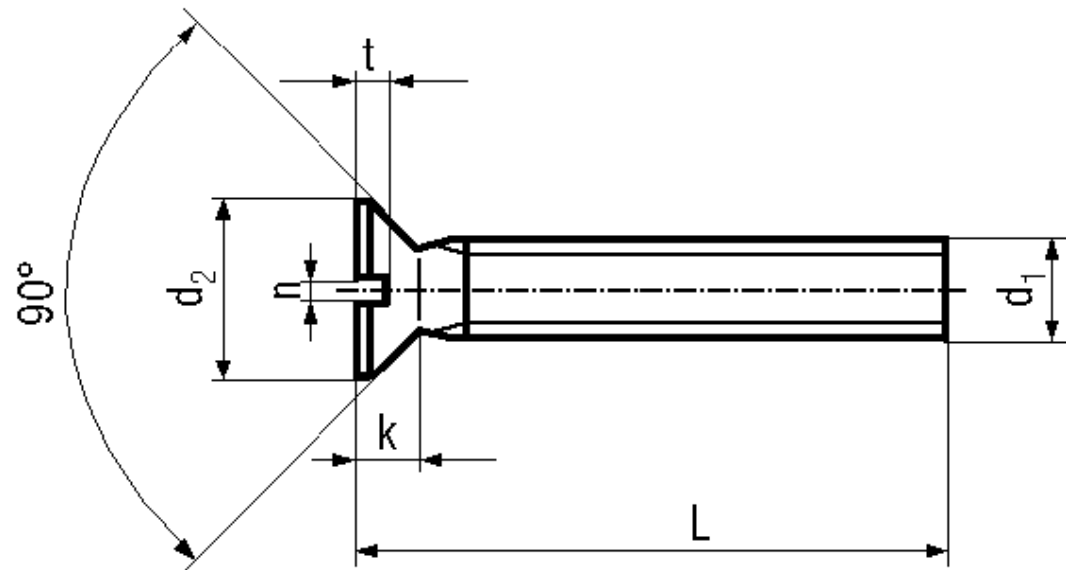


## BN 655

Slotted flat countersunk head screws

DIN 963 A  
~ISO 2009  
~UNI 6109



Material	Stainless steel	Quality	A4
----------	-----------------	---------	----

### Article No. - 1247689

$d_1$	M3
$L$	16
$d_2$	5,6
$k$ max.	1,65
$n$	0,8
$t$ min.	0,6

DIN 963: Standard withdrawn

All lengths fully threaded.

Slotted flat countersunk head screws with small head VSM 13328: BN 658