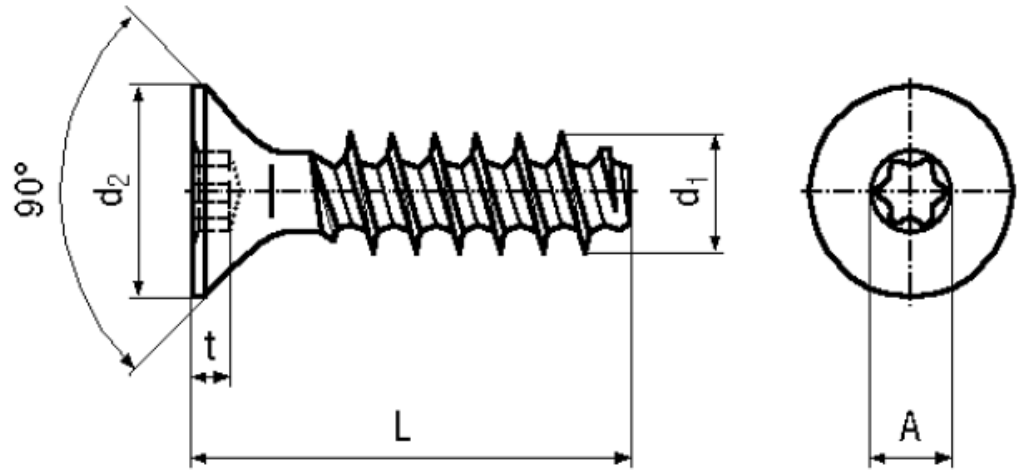


BN 11308

PT®-Flat countersunk head screws
Torx plus® / Autosert®
heat treated



Trade mark	PT®	Surface	zinc plated blue
Type	WN 1423	Tensile strength	1000 N/mm ²
Material	Steel	Hardness	320-390 HV

Article No. - 3060100	
ø nominal	K30
d ₁	3
L	16
d ₂	5,5
Torx plus®/Autosert®	8 IP
A~	2,4
t min.	0,85
t max.	1