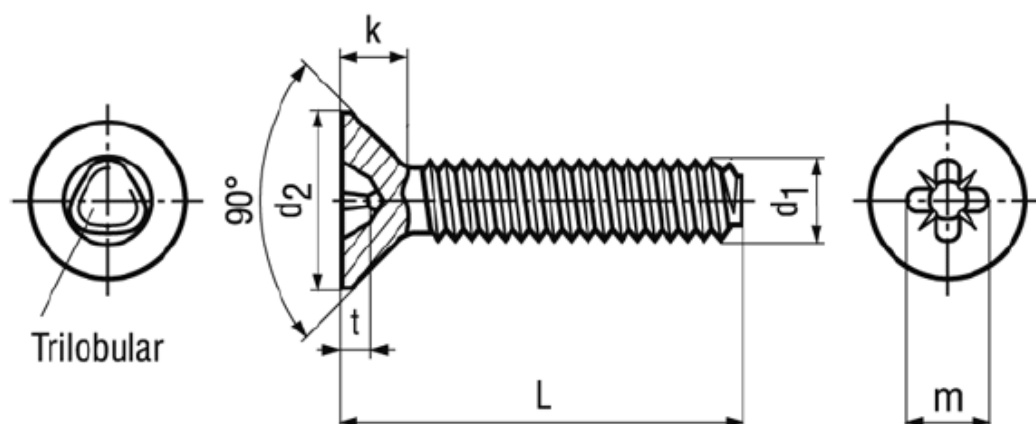


BN 4919 - DIN 7500 M

Cross recessed flat countersunk head thread forming screws
type M, Pozidriv Z, metric thread
waxed

DIN 7500 M
~UNI 8113



Material	Stainless steel	Quality	A2
----------	-----------------	---------	----

Article No. - 1183362	
d ₁	M3
L	12
d ₂ max.	5,6
k max.	1,65
Pozidriv	1
m~	2,8
t min.	1,48
t max.	1,73

Thread: Tapered end max. 4P.

Countersink must be designed according to the corresponding standard!

Screwdriver Bits 1/4": BN 31514 and BN 31516 / CG 1.