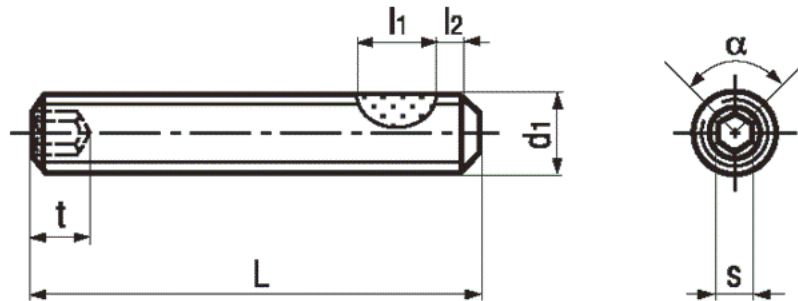


BN 5210 - DIN 913 - ISO 4026

Hexagon socket set screws
with flat point and Tuflok® patch

DIN 913
ISO 4026



Trade mark	Tuflok®	Quality	45 H
Material	Steel	Hardness	min. 450 HV
Surface	zinc plated blue		

Article No. - 1380079	
d ₁	M3
L	10
s	1,5
t min.	2

Coating angle alpha in core area approx. 90°, top area, (Spray-Flash) up to approx. 180°.

Length of coating l1 approx. 4 to 6 threads.

Approx. 1 to 2 threads remain uncoated to enable trouble-free assembling (l2).