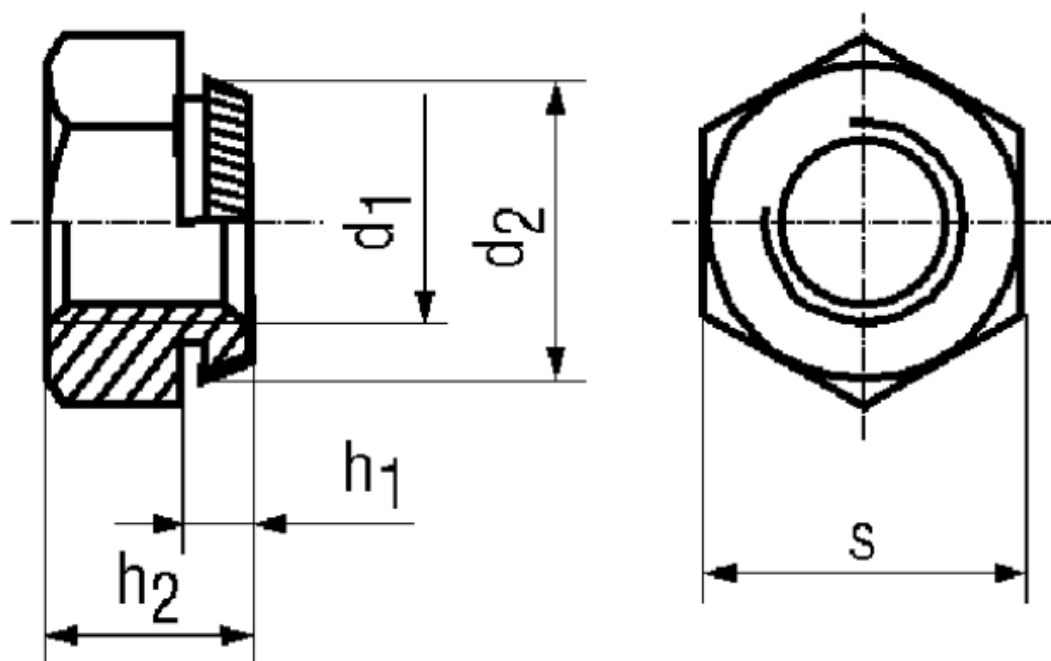


BN 201

Hexagon self clinching nuts
case hardened



Material	Steel	Hardness	550 HV
Surface	zinc plated blue		

Article No. - 1098470	
d ₁	M3
h ₁	0,9
Hole size	4,5
d ₂	4,7
Sheet thicknes min.	1
h ₂	3
s	5,5
Distance to edge	5,6

Note: Collar height (dimension h₁) available for thicker plates on request.