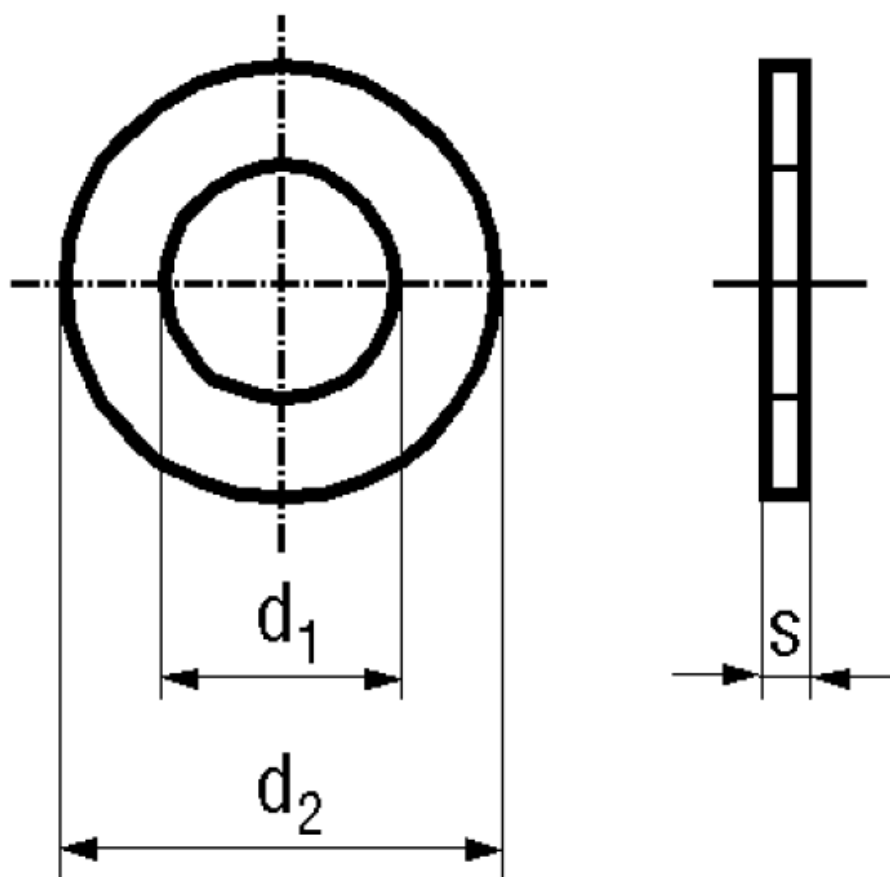


## BN 717 - DIN 125 A - ~ISO 7089

Flat washers  
without chamfer

DIN 125 A  
~ISO 7089  
VSM 13904  
~UNI 6592



Material	Steel	Hardness grade	140 HV
Surface	zinc plated yellow		

Article No. - 1268007	
for thread	M3,5
$d_1$	3,7
$d_2$	8
$s$	0,5