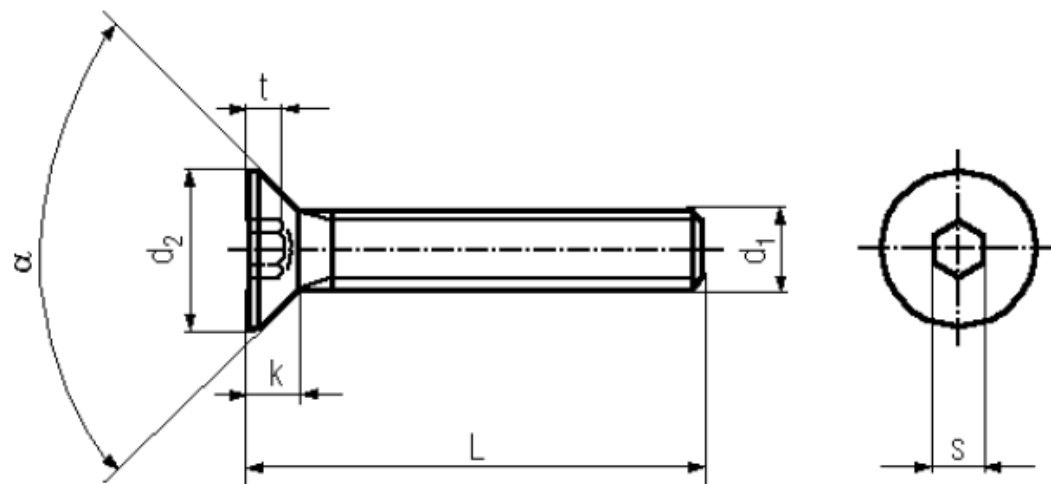


BN 4719

Hexagon socket flat countersunk
head screws
fully threaded
fully threaded

DIN 7991
~ISO 10642
~UNI 5933



Material	Stainless steel	Quality	A4
----------	-----------------	---------	----

Article No. - 1014838	
d ₁	M2
L	(6)
d ₂ max.	4
k max.	1,2
s	1,3
t	0,75
v	90

DIN 7991: Standard withdrawn

M2: M2,5; Not included in ISO 7991.