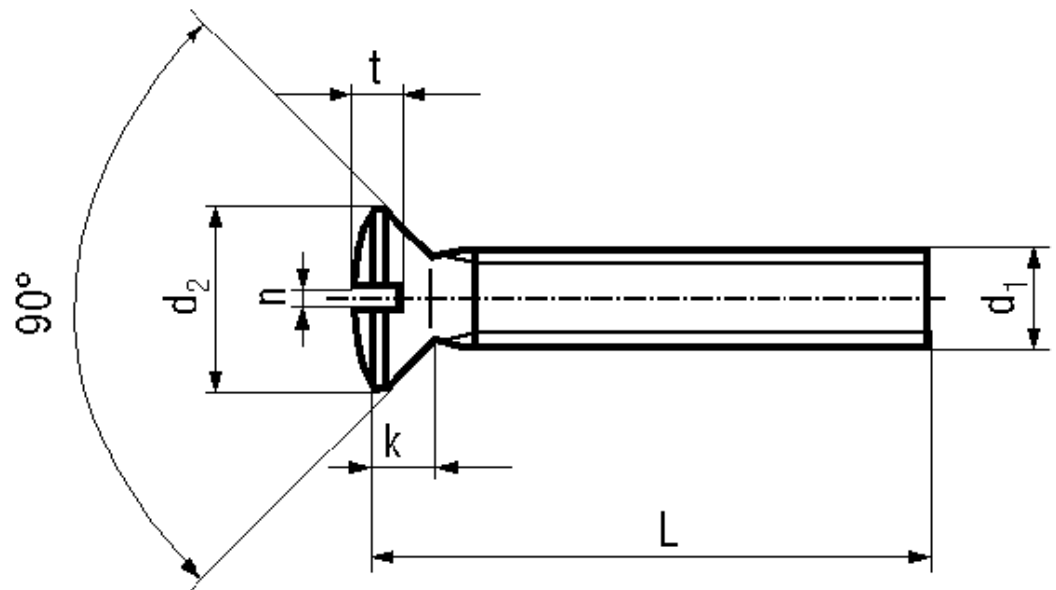


BN 656

Slotted oval countersunk head screws

DIN 964 A
~ISO 2010
~UNI 6110



Material Quality

Article No. - 1075500

d_1	M2
L	5
d_2	3,8
k max.	1,2
n	0,5
t min.	0,8

DIN 964: Standard withdrawn

All lengths fully threaded.

Slotted oval countersunk head with small head: BN 659