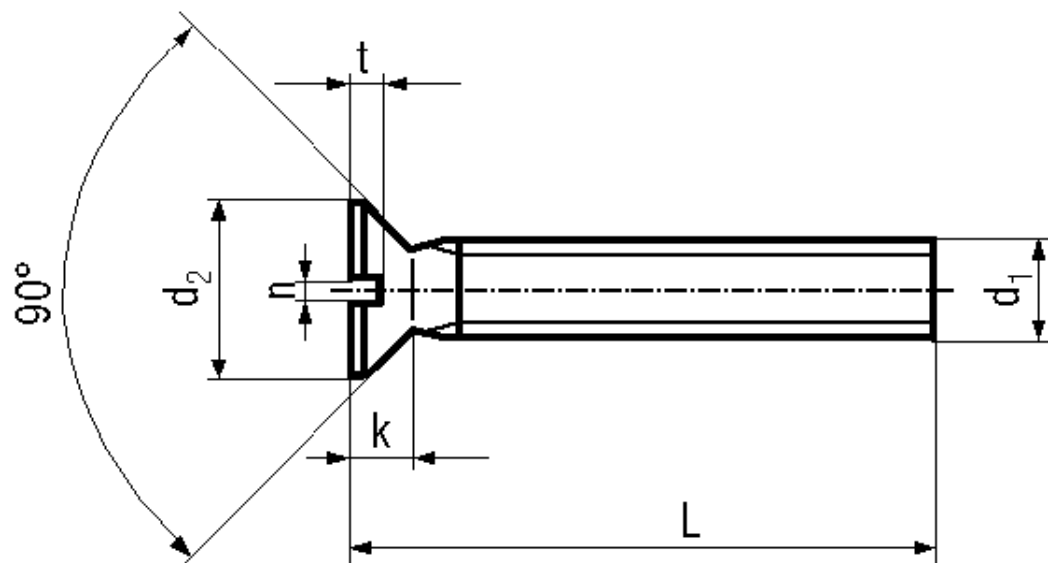


## BN 654

Slotted flat countersunk head screws

DIN 963 A  
 ~ISO 2009  
 ~UNI 6109



Material  Quality

### Article No. - 1073702

$d_1$	M2
L	5
$d_2$	3,8
k max.	1,2
n	0,5
t min.	0,4

DIN 963: Standard withdrawn

All lengths fully threaded.

Slotted flat countersunk head screws with small head VSM 13328: BN 658