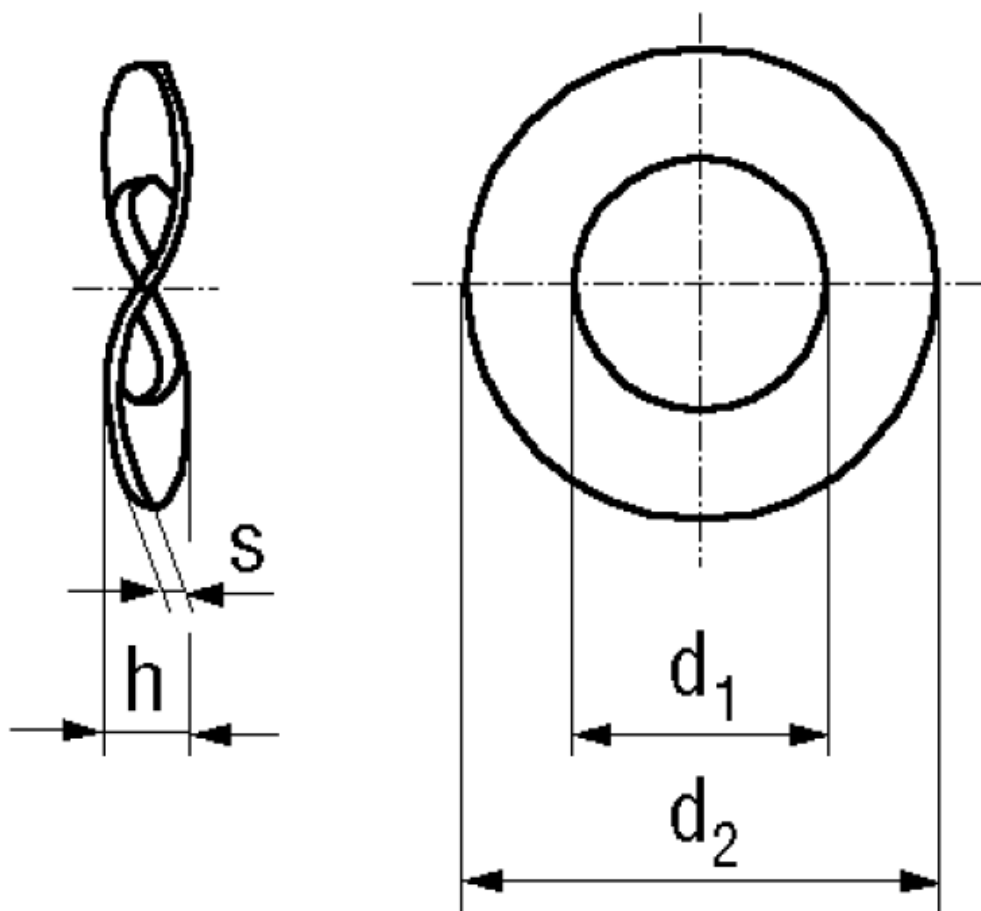


BN 678 - DIN 137 B

Waved spring washers

DIN 137 B
~UNI 8840 B



Material	Stainless steel	Quality	A2 / 1.4310
----------	-----------------	---------	-------------

Article No. - 1250310

for thread	M20
d_1	21
d_2	36
h min.	3,7
s	1,6

Form A is no longer in force. We recommend DIN 137 B for new constructions.

Material: At manufacturer's option