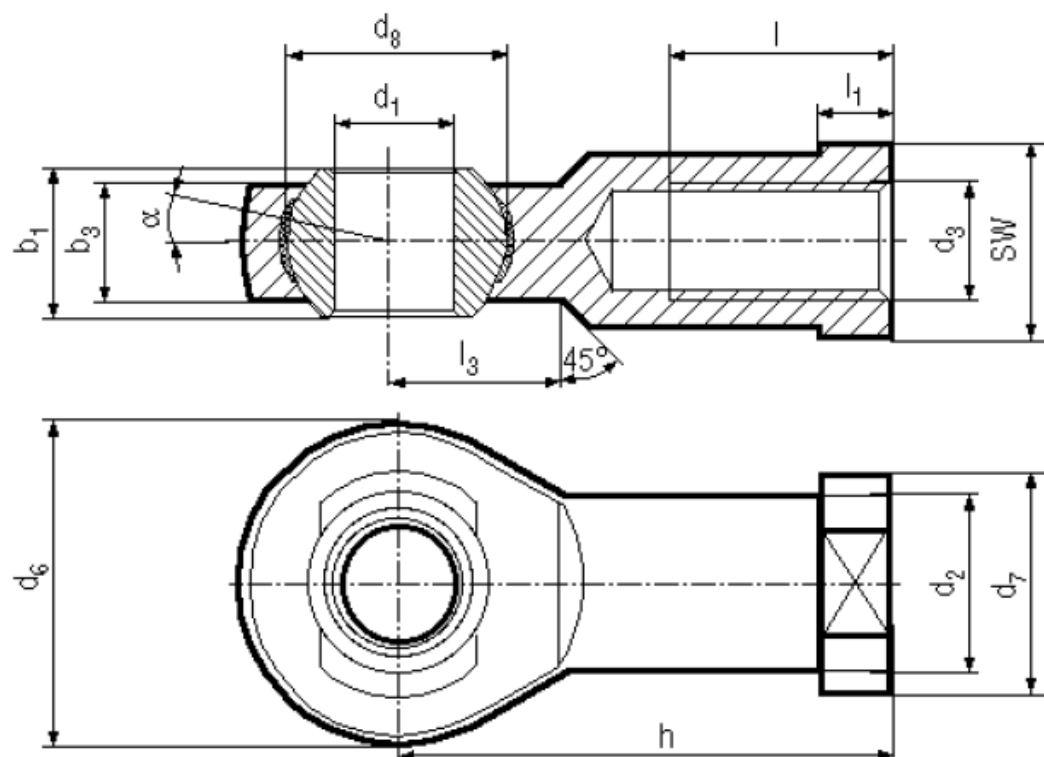


BN 158

Rod ends
with integral spherical plain bearing
High type, right hand thread

ISO 12240-4 K



Trade mark	Durbal	Material	Steel
Type	BEF	Surface	zinc plated blue

Article No. - 1066684

d ₁	20
d ₂	27,5
d ₃	M20x1,5
d ₆	50
d ₇	34
d ₈	34,87
b ₁	25
b ₃	18
h	77
l	33
l ₁	10
l ₃	26
v	9
SW	30

The rod end ball slides on a bearing shell consisting of a glass fibre-filled nylon/teflon compound.
This design is maintenance-free.