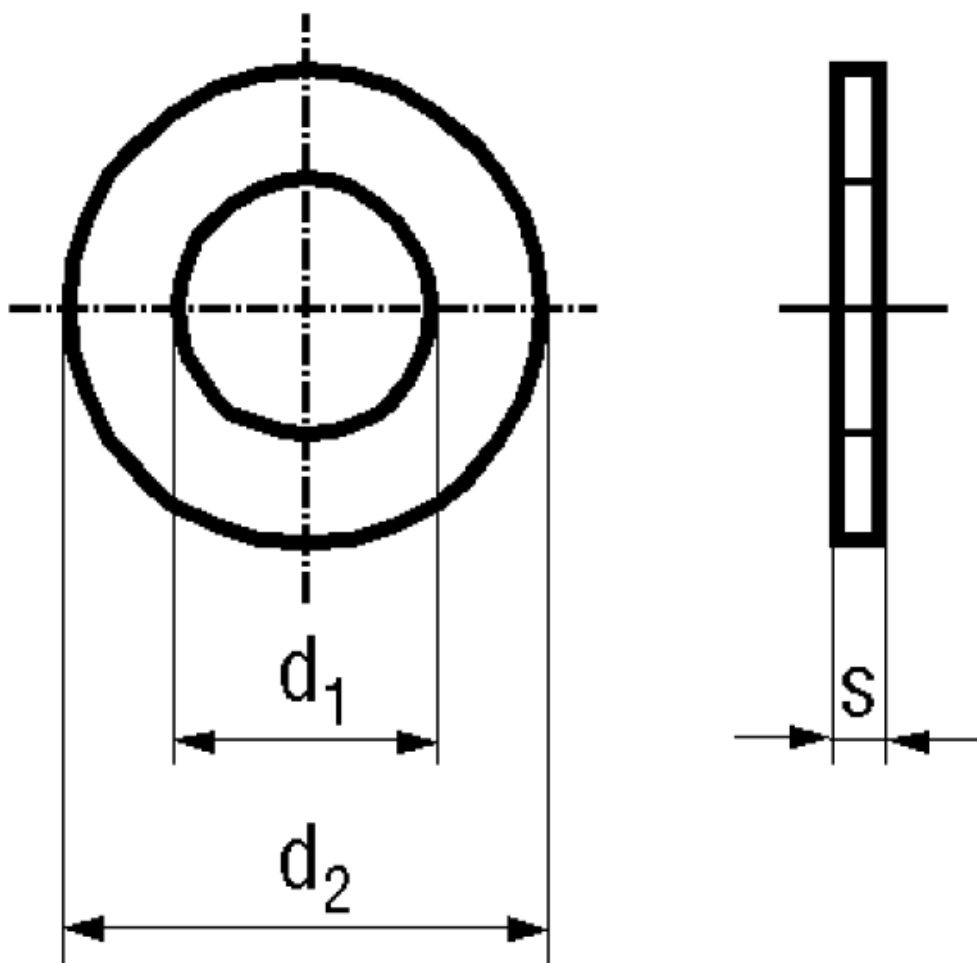


BN 561 - DIN 125 A-1 - ~ISO 7089

Flat washers
without chamfer

DIN 125 A-1
~ISO 7089
~UNI 6592



Material **Brass** Surface **nickel plated**

Article No. - 1759930

fit for	M2,5
d_1	2,7
d_2	6
s	0,5

DIN 125: Standard withdrawn

M4,5: Not included in DIN 125, ISO 7089 and VSM 13904.

M2,2: Not included in DIN 125 and ISO 7089.

M1,7; M2,6; M7: Not included in ISO 7089.