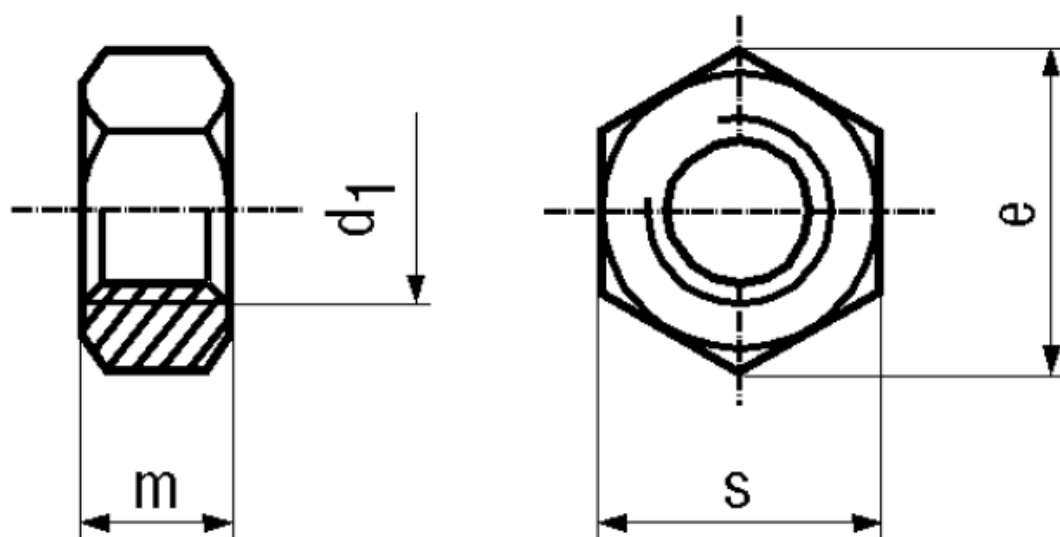


BN 504 - DIN 934 - ~ISO 4032

Hexagon nuts ~0,8d

DIN 934
~ISO 4032
~UNI 5588



Material

Brass

Surface

plain

Article No. - 1195093

d_1

M2,5

e min.

5,45

s

5

m max.

2

DIN 934: Standard withdrawn

Wrench size according to ISO on request.