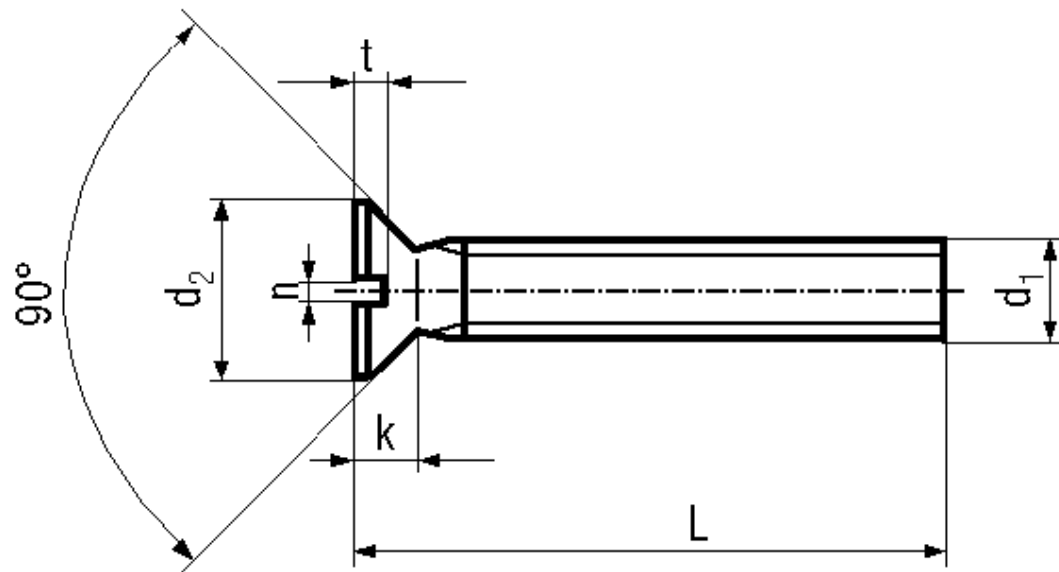


BN 654

Slotted flat countersunk head screws

DIN 963 A
~ISO 2009
~UNI 6109



Material	Stainless steel	Quality	A2
----------	-----------------	---------	----

Article No. - 1032445

d_1	M2,5
L	4
d_2	4,7
k max.	1,5
n	0,6
t min.	0,5

DIN 963: Standard withdrawn

All lengths fully threaded.

Slotted flat countersunk head screws with small head VSM 13328: BN 658