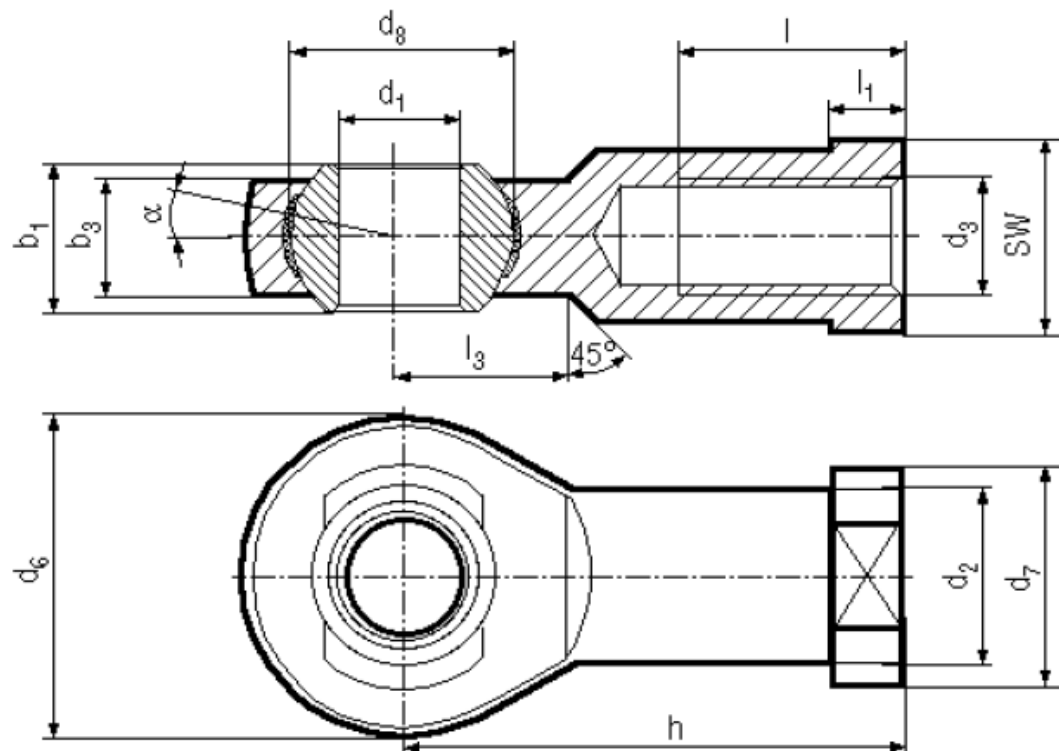


## BN 99

Rod ends  
with integral spherical plain bearing  
High type, right hand thread

ISO 12240-4 K



Trade mark	<b>Durbal</b>	Material	<b>Steel</b>
Type	<b>BEF</b>	Surface	<b>zinc plated blue</b>

### Article No. - 1066536

d <sub>1</sub>	16
d <sub>2</sub>	22
d <sub>3</sub>	M16
d <sub>6</sub>	42
d <sub>7</sub>	27
d <sub>8</sub>	28,52
b <sub>1</sub>	21
b <sub>3</sub>	15
h	64
l	28
l <sub>1</sub>	8
l <sub>3</sub>	22
v	8,5
SW	22

The rod end ball slides on a bearing shell consisting of a glass fibre-filled nylon/teflon compound.  
This design is maintenance-free.