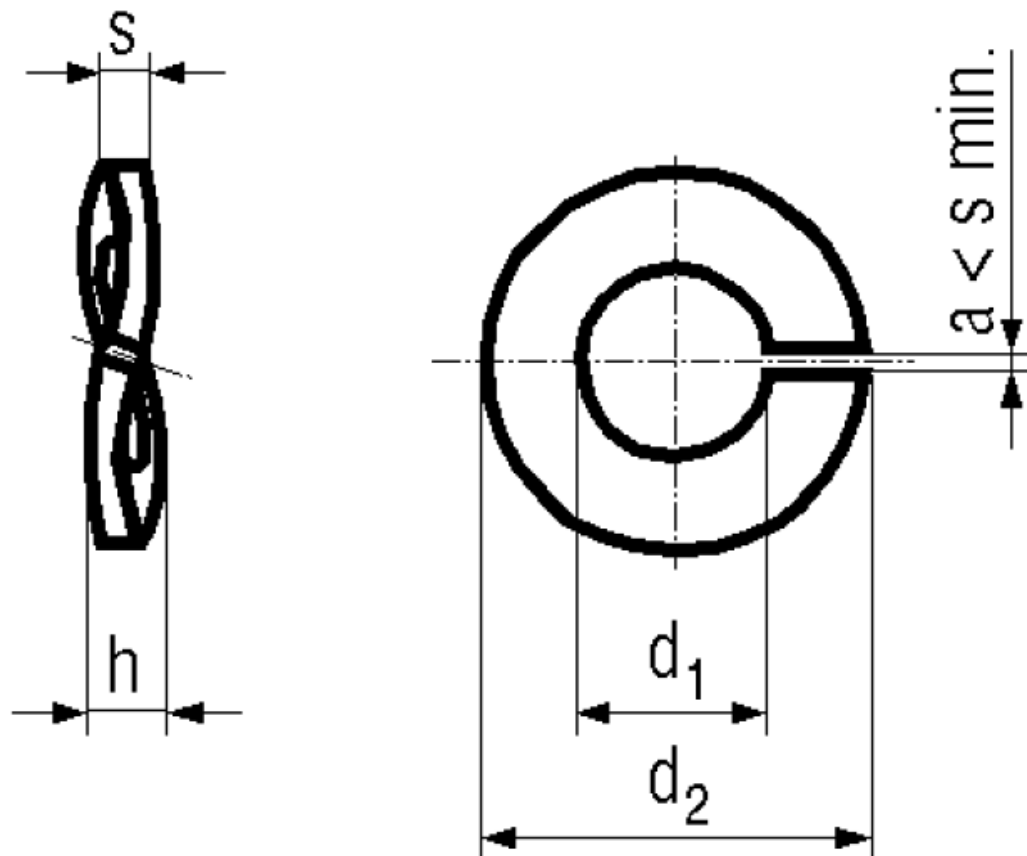


BN 771 - DIN 128 B

Waved spring lock washers

DIN 128 B
~UNI 8839 B



Material	Spring steel	Hardness	430-530 HV
Surface	mechanical zinc plated blue		

Article No. - 1276964

for thread	M12
d ₁ min.	12,2
d ₂ max.	21,1
h min.	3,35
s min.	1,95

DIN 128 B: Form B is no longer in force. We recommend DIN 128 A for new constructions.