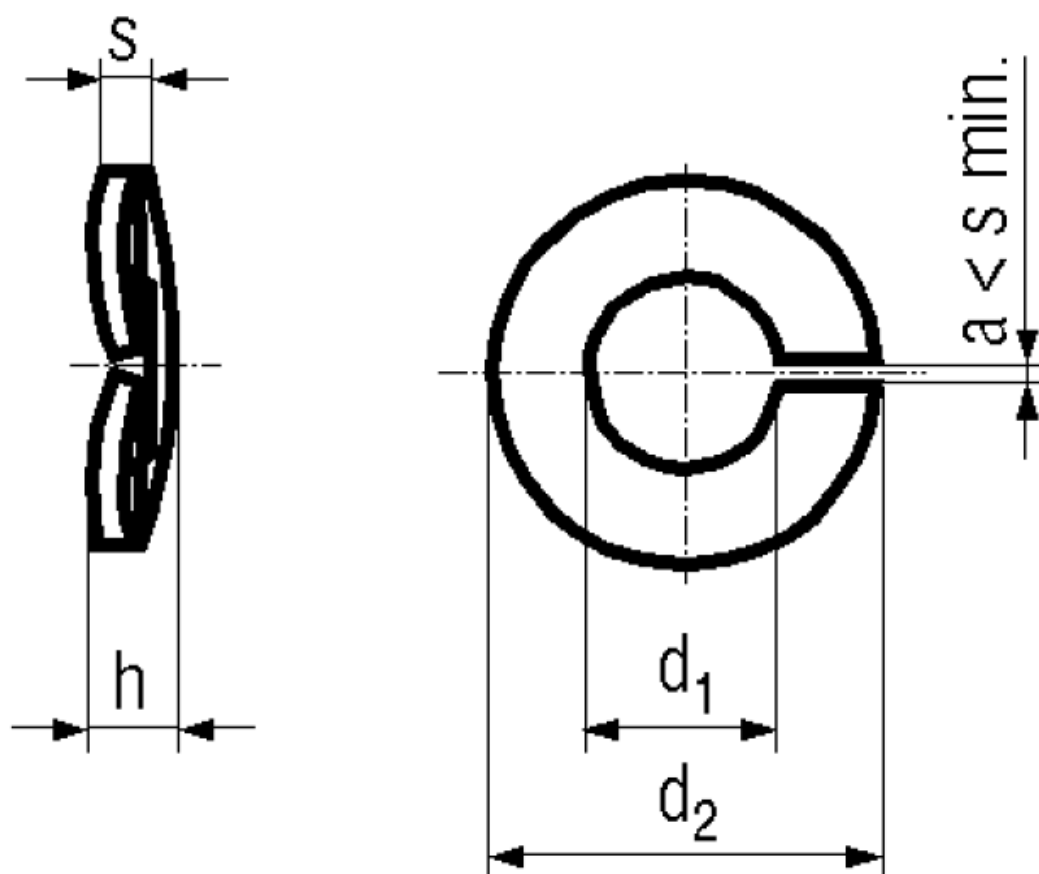


## BN 769 - DIN 128 A

Curved spring lock washers

DIN 128 A

~UNI 8839 A



Material	Steel	Hardness	430-530 HV
Surface	mechanical zinc plated blue		

### Article No. - 1276727

for thread	M12
$d_1$ min.	12,2
$d_2$ max.	21,1
$h$ min.	3,35
$s$ min.	1,95

DIN 128: Standard withdrawn

M33: Not included in DIN 128