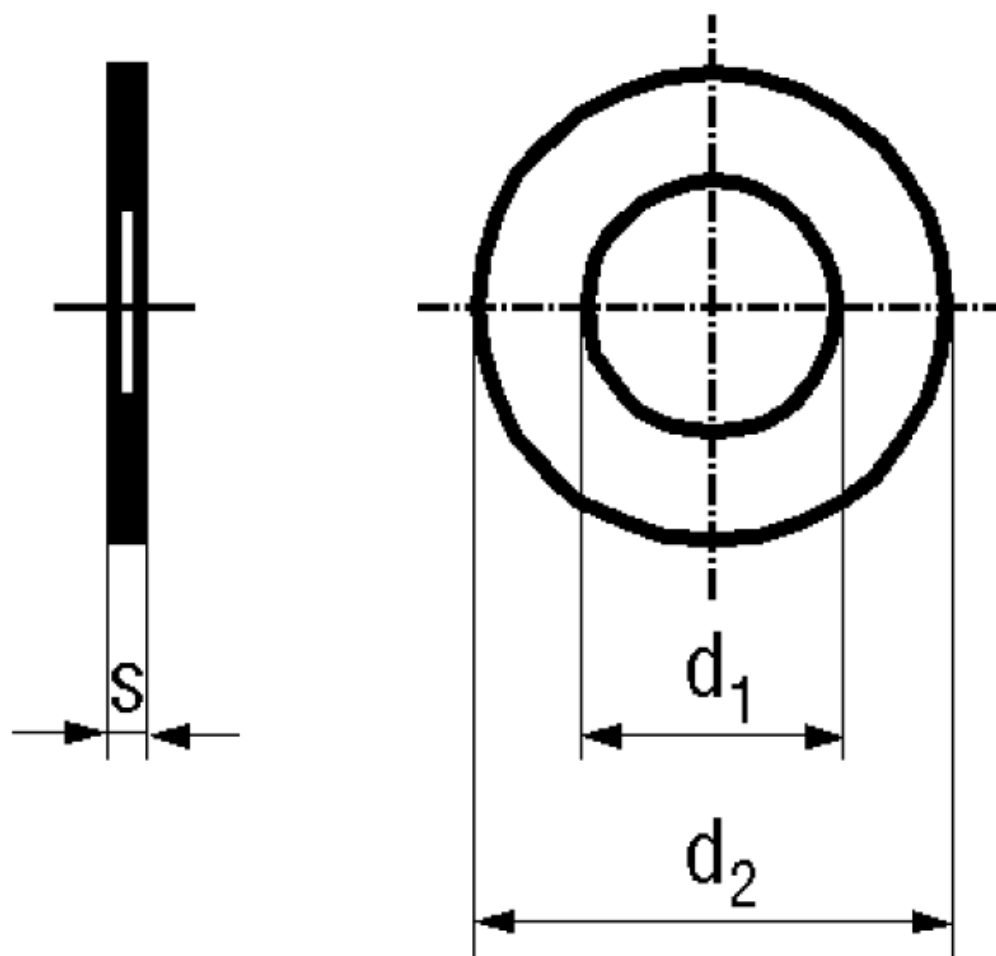


BN 748 - ~DIN 988

Shim washers

~DIN 988



Material	Spring steel	Hardness grade	34-47 HRC
Surface	plain		

Article No. - 1273728

d ₁	12
d ₂	24
s	0,5