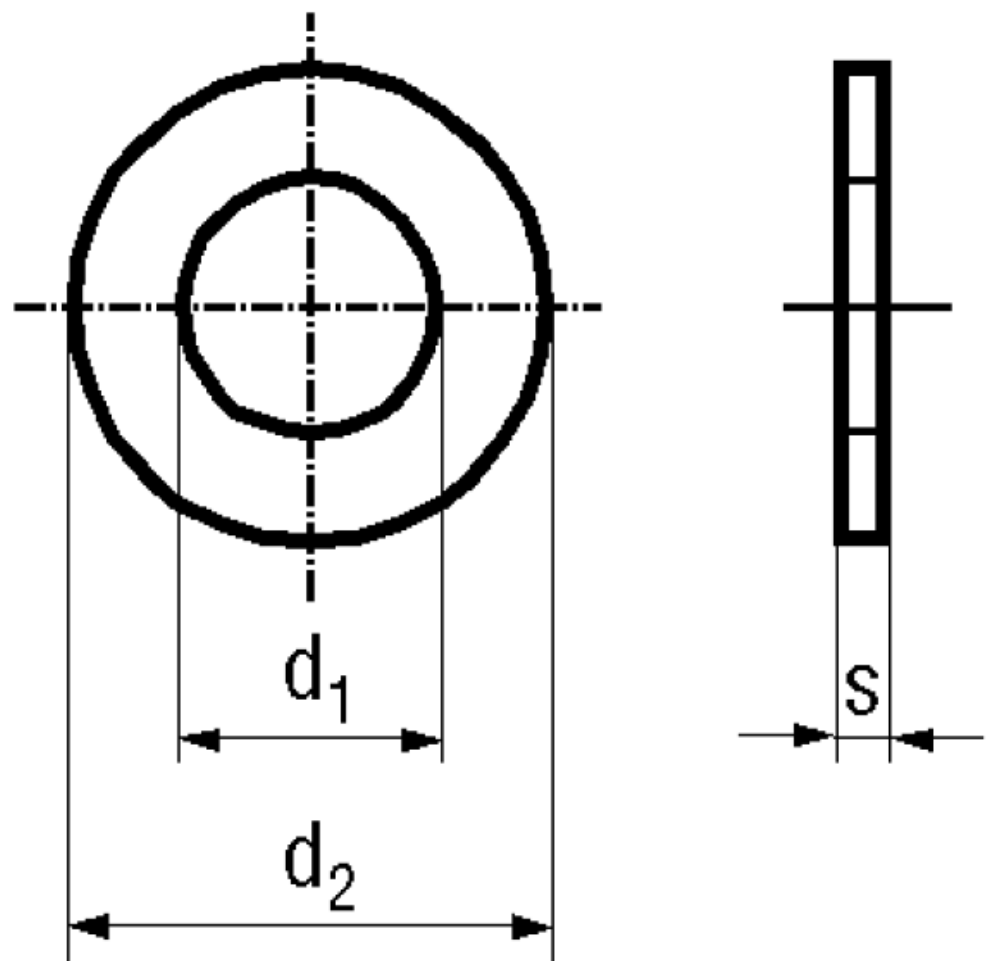


BN 584 - DIN 125 A - ~ISO 7089

Flat washers
without chamfer
punched

DIN 125 A
~ISO 7089
~UNI 6592



Material Surface

Article No. - 1226878

fit for	M12
d_1	13
d_2	24
s	2,5

DIN 125: Standard withdrawn