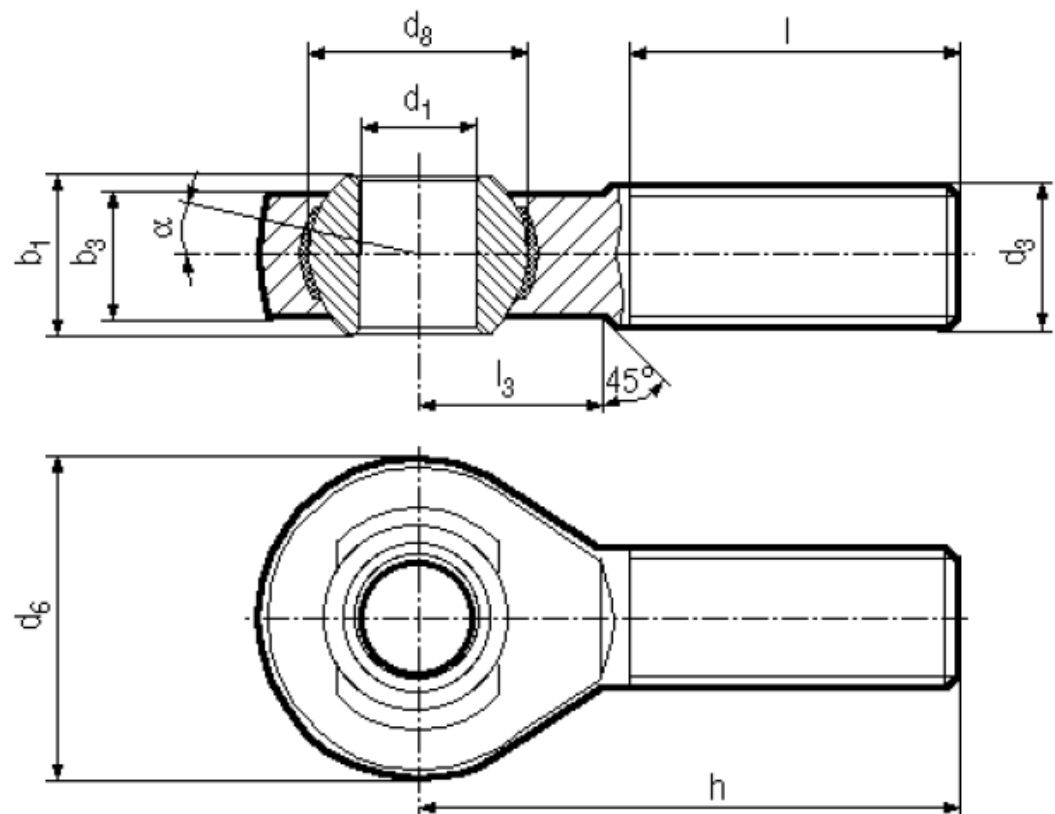


BN 34

Rod ends
with integral spherical plain bearing
High type, right hand thread

ISO 12240-4 K



Trade mark	Durbal	Material	Steel
Type	BEM	Surface	zinc plated blue

Article No. - 1037897

d ₁	12
d ₃	M12
d ₆	32
d ₈	22,17
b ₁	16
b ₃	12
h	54
l	33
l ₃	19
v	8

The rod end ball slides on a bearing shell consisting of a glass fibre-filled nylon/teflon compound.
This design is maintenance-free.

Hex nuts left hand thread: CG 3