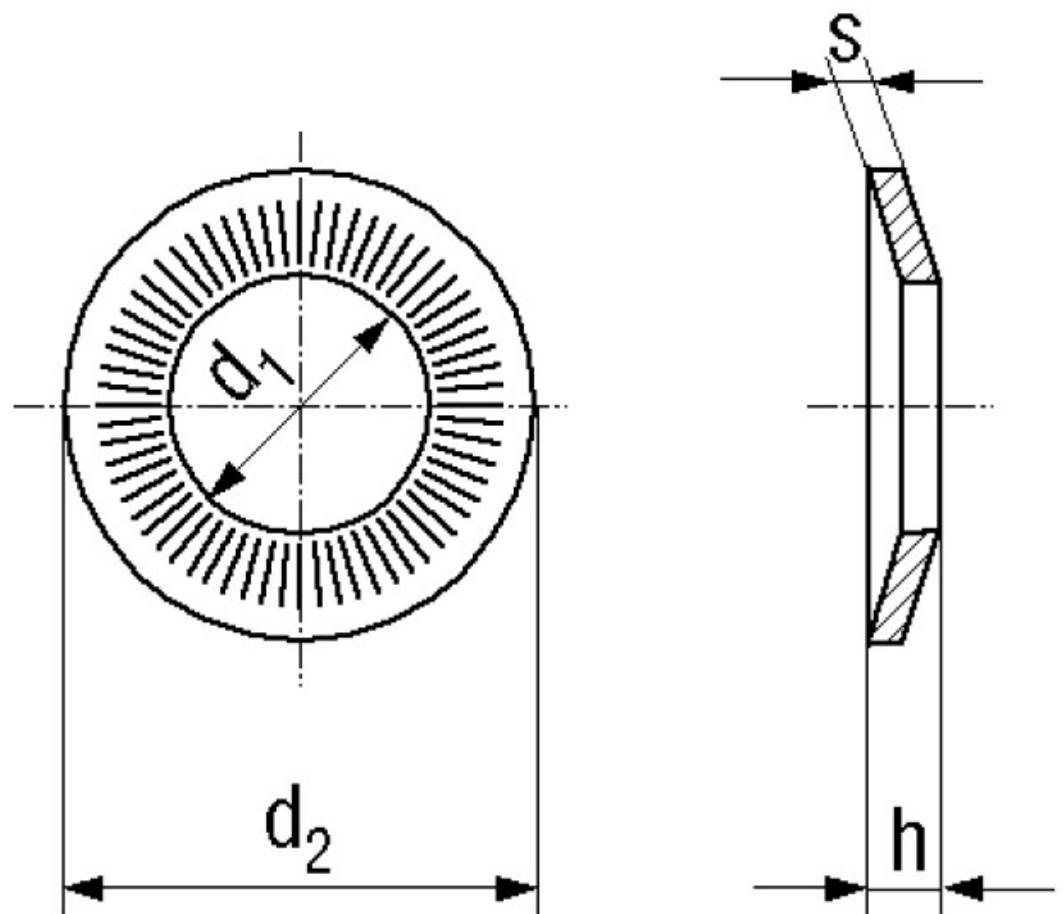


## BN 13292

Lock washers

~NF E 25-511



Trade mark

Rip-Lock

Surface

zincflake coated

Material

Spring steel

### Article No. - 1558587

for thread	M12
$d_1$ min.	12,4
$d_2$	27
h max.	3,1
s	1,8