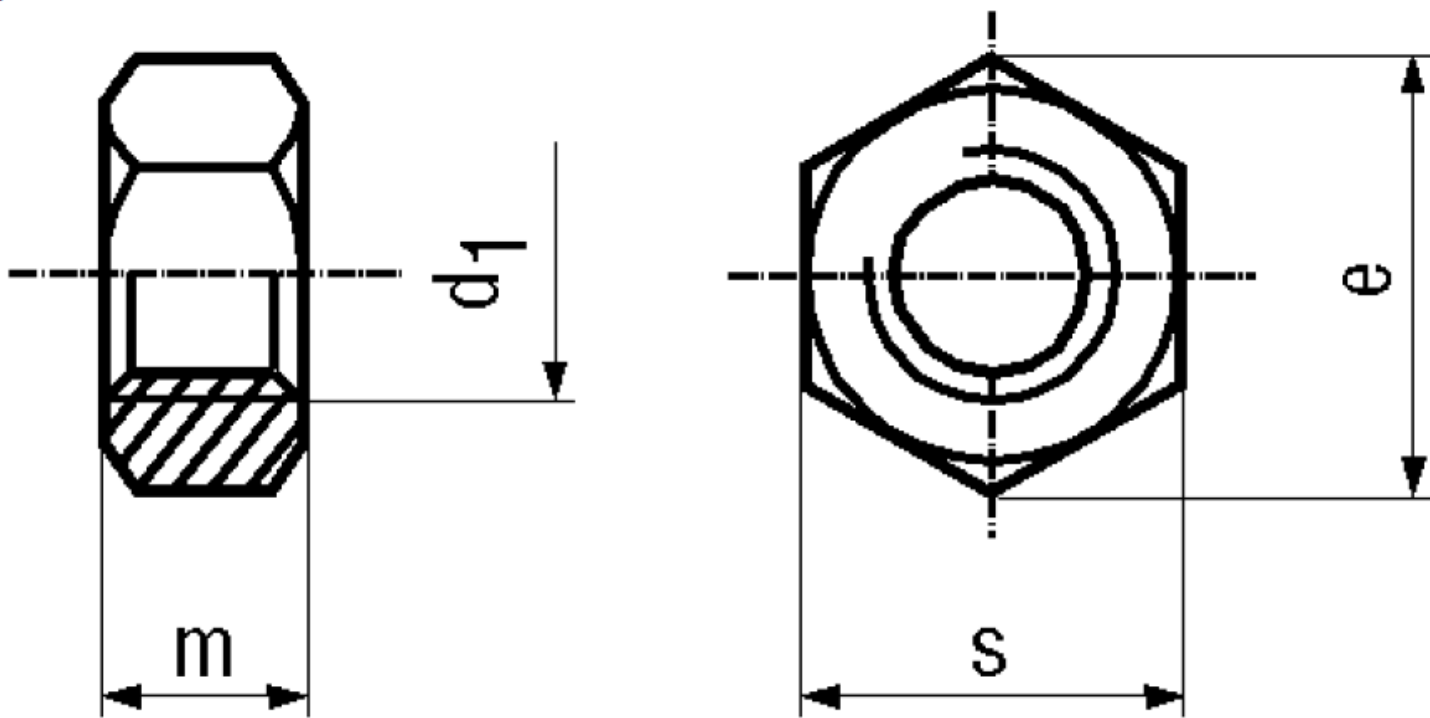


BN 1983 - ~DIN 934 - ISO 4032

Hexagon
nuts
type 1

~DIN
934
ISO
4032



Material	Steel	Quality	cl. 8
Surface	zinc plated blue		

Article No. - 2051303

d_1	M10
e min.	17,77
s	16
m max.	8,4