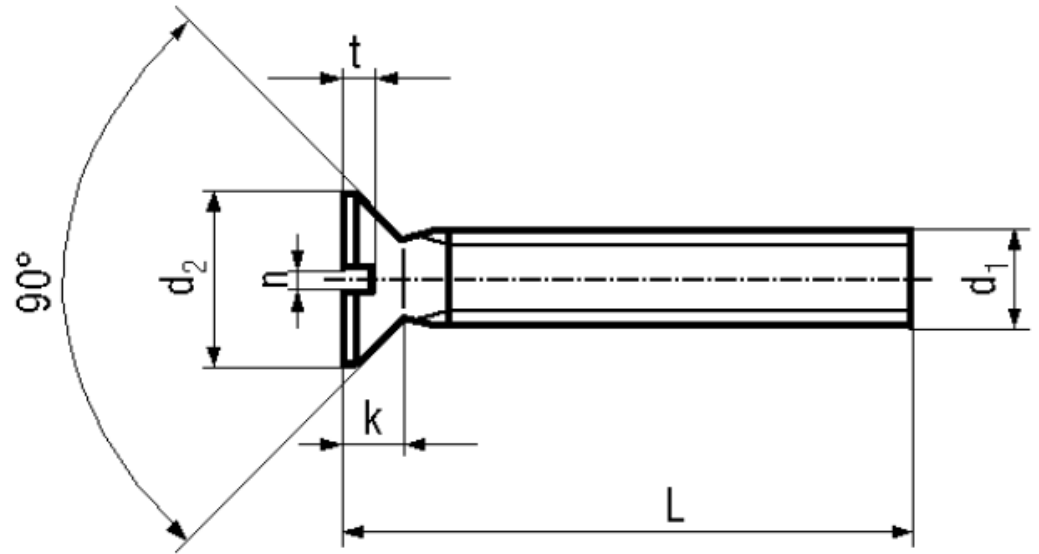


BN 357

Slotted flat countersunk head screws

DIN 963 A
 ~ISO 2009
 ~UNI 6109



Material	Steel	Tensile strength	400 N/mm²
Surface	zinc plated blue	Elongation after fracture	min. 14%
Quality	4.8		

Article No. - 1121456

d ₁	M10
L	50
d ₂ max.	18
k max.	5
n	2,5
t min.	2

DIN 963 A: Standard withdrawn
 All lengths fully threaded.