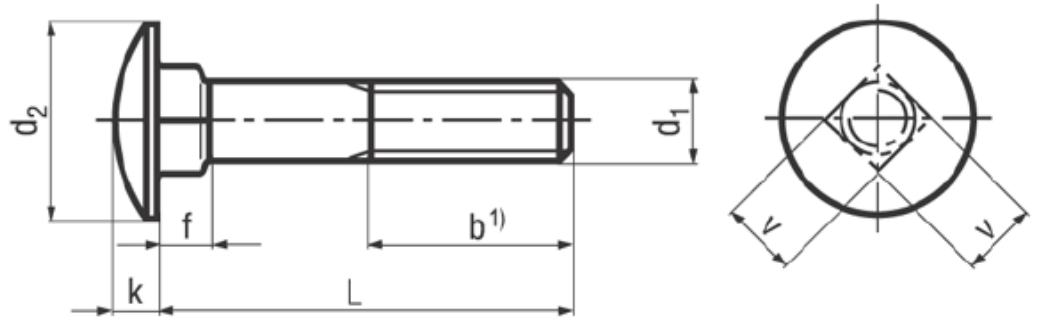


## BN 645

Round head square neck bolts  
without hexagon nuts

DIN 603  
~UNI 5732



|          |                 |         |    |
|----------|-----------------|---------|----|
| Material | Stainless steel | Quality | A2 |
|----------|-----------------|---------|----|

### Article No. - 1413775

|                     |       |
|---------------------|-------|
| d <sub>1</sub>      | M10   |
| L                   | 30    |
| b                   | 16    |
| d <sub>2</sub> max. | 24,65 |
| k max.              | 5,38  |
| f max.              | 6,6   |
| v max.              | 10,58 |

Partially or fully threaded at manufacturer's option.

The shank diameter may be reduced at manufacturer's option.(shank diameter approximatly equal to pitch diameter).