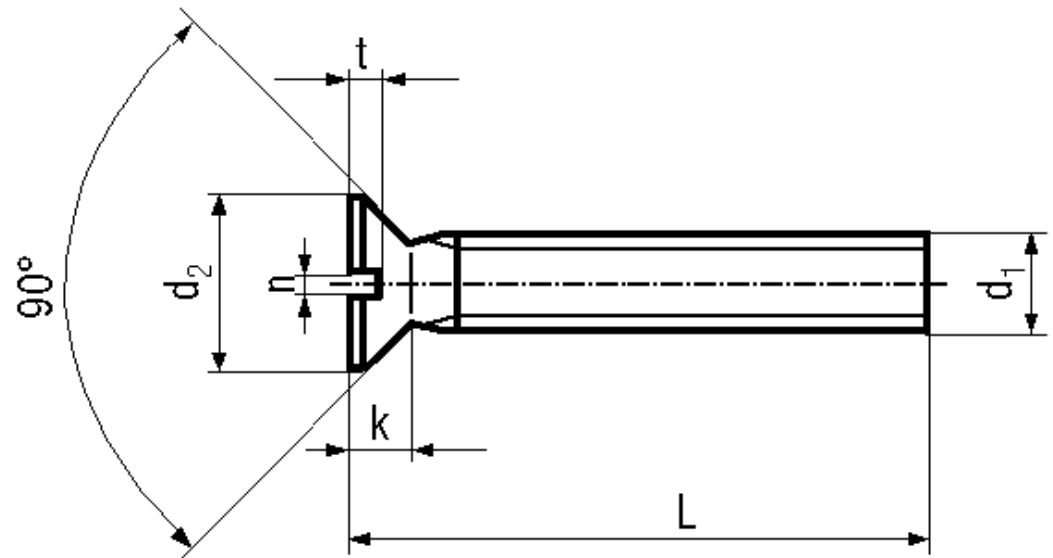


BN 654

Slotted flat countersunk head screws

DIN 963 A
~ISO 2009
~UNI 6109



Material Quality

Article No. - 1427970	
d ₁	M10
L	20
d ₂	18
k max.	5
n	2,5
t min.	2

DIN 963: Standard withdrawn

All lengths fully threaded.

Slotted flat countersunk head screws with small head VSM 13328: BN 658