

# Accessories Power Relay RM

2 / 3 pole, 10 / 16 A

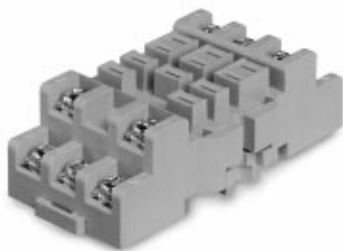
Dimensions in mm



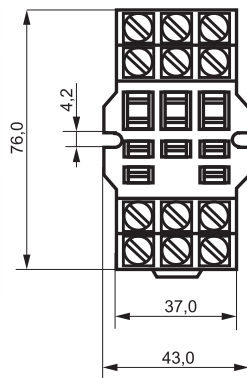
F0237-A

## RM Sockets with screw-type terminals

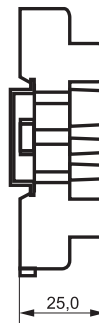
**RM 78704** Socket with screw-type terminals



F0113-A



S0317-A



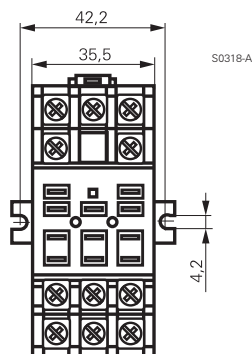
### Technical data

Rated current	16 A
Rated voltage	380 Vac
Dielectric strength coil/cont.	>2500 V <sub>rms</sub>
Ambient temperature	-40...+50 °C
Terminal torque	0.8 Nm
max.	1.2 Nm
Packaging unit	100 pcs.

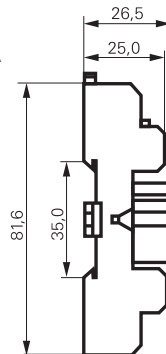
**RM 78 705** Socket with screw-type terminals



F0114-A



S0318-A



### Technical data

Rated current	16 A
Rated voltage	250 Vac
Dielectric strength coil/cont.	>2500 V <sub>rms</sub>
Ambient temperature	-40...+40 °C
Terminal torque	0.8 Nm
max.	1.2 Nm
Packaging unit	100 pcs.

Edition: 03/2002

### Socket with screw-type terminals

Type		Part Number
<b>RM 78 704</b>	Socket with screw-type terminals	2-1393844-4
<b>RM 78 705</b>	Socket with screw-type terminals	2-1393844-5

# Accessories Power Relay RM

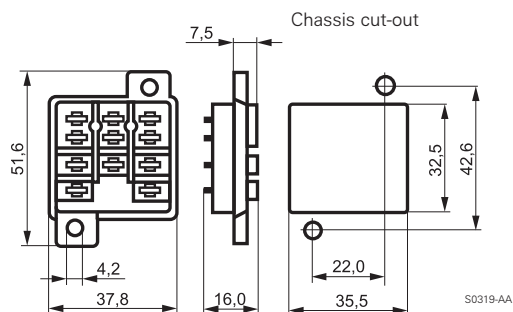
2 / 3 pole, 10 / 16 A

Dimensions in mm  
View on solder pins

**RM 78 700** Socket with Faston terminals



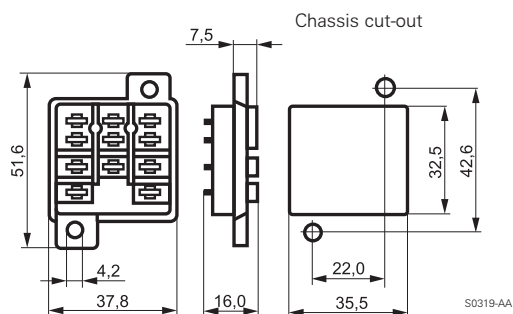
F0110-A



**RM 78 701** Socket with solder terminals



F0111-A

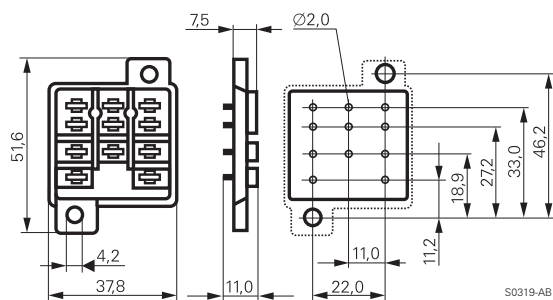


**RM 78 702** Socket with PCB terminals

 300 Vac / 10 A



F0112-A



## Sockets

Type		Part Number
<b>RM 78 700</b>	Socket with Faston terminals	0-1419118-6
<b>RM 78 701</b>	Socket with solder terminals	4-1393149-9
<b>RM 78 702</b>	Socket with PCB terminals	2-1393844-3

## Accessories for RM 78 700, RM 78 701, RM 78 702

Type		Part Number
<b>RM 28 802</b>	Metal retaining clip RM	0-1419118-5