

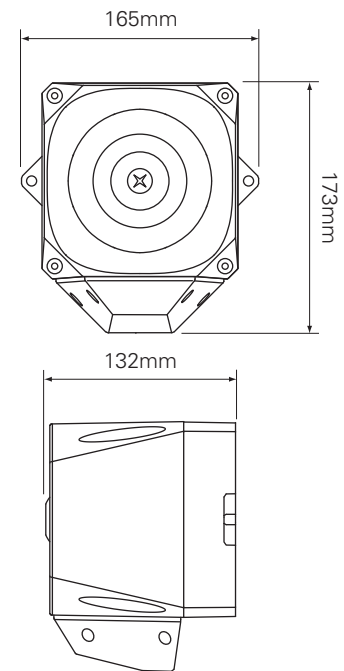
Asserta Midi Sounder Beacon

The Asserta Midi Sounder Beacon is a versatile and rugged audio-visual alarm designed for industrial environments or areas where there is a requirement for a robust and well protected unit. The supply options permit use with a wide range of fire and process systems.



Technical Specification

Voltage	9 - 60Vdc 115Vac 230Vac
Current Sounder	23mA @ 24Vdc (Typical Tone 3) 12mA @ 230Vac (Typical Tone 3)
Current Beacon	200mA @ 24Vdc 30mA @ 230Vac
Sound Output	108dB(A) @ 24Vdc (Typical Tone 3) 112dB(A) @ 230Vac (Typical Tone 3)
Tones	32
Alarm Stages	2
Flash Power	2.5j
Flash Rate	1Hz
Monitoring	Reverse polarity (dc version)
Temperature	- 25°C to + 70°C
Protection	IP66
Construction	ABS
Weight	0.8Kg
Colour	Red or grey
Lens Colour	Red, amber, blue or clear



Features

- 112dB(A) output
- 32 alarm tones
- IP66 protection
- Asymmetric beacon

Benefits

- Excellent for general signalling use
- Large range of tone options to suit all alarm functions
- For demanding environments
- Efficient use of light reduces current while generating the same intensity as a 5j beacon

Reference

AS/M/SB/230/R/RL
AS/M/SB/115/R/AL
AS/M/SB/230/R/AL
AS/M/SB/230/R/CL
AS/M/SB/115V/R/RL
AS/M/SB/115/G/AL

Catalogue No.

7052111FUL-0130
7092266FUL-0142
7052212FUL-0116
7052213FUL-0125
7054111FUL-0046
7092287FULL-0194

Description

Asserta Midi, Sounder/Beacon 230Vac, Red, Red Lens
Asserta Midi, Sounder/Beacon 115Vac, Grey, Amber Lens
Asserta Midi, Sounder/Beacon, 230Vac, Red, Amber Lens
Asserta Mini, Sounder/Beacon, 230Vac, Red, Clear Lens
Asserta Midi, Sounder/Beacon, 115Vac, Red, Red Lens
Asserta Midi, Sounder/Beacon, 115Vac, Grey Base, Amber Lens