

ULTRA MINIATURE PLASTIC PACKAGE PURE SILICON™ CLOCK OSCILLATOR

ASFLM1



Life Size



5.0 x 3.2 x 0.85mm

ASFLM1

RoHS
Compliant

FEATURES:

- Ultra Miniature Pure Silicon™ Clock Oscillator
- MEMS Technology by Discera
- Low Power Consumption <10mA
- Exceptional Stability Over Temp. at 0 - 70°C
- Extended Temperature Options Also Available
- Available in 30kG Shock Resistance Configuration
- Low Cost-Compact QFN Plastic Packaging
- Compact Package design

APPLICATIONS:

- CCD Clock for VTR Camera
- Equipment Connected to PCs
- Low Profile Equipment
- Lower Cost Crystal Oscillator Replacement
- Computers and Peripherals
- Portable Electronics (MP3 Players, Games)
- Consumer Electronics such as TV's, DVR's, etc.
- Vibrant, Shock-Prone & Humid Environments for Industrial Equipment
- Demanding Military & Automotive Electronics

**MEMS
Technology!**

STANDARD SPECIFICATIONS:

PARAMETERS

ABRACON P/N:	ASFLM1 Series
Frequency range:	1.000 MHz - 125 MHz
Operating temperature:	0°C to +70°C (see options)
Storage temperature:	-55°C to +155°C
Overall Frequency Stability:	± 100 ppm max. (see options)
Supply Voltage (Vdd):	3.0 V ± 0.3 V
Supply Current: (No Load)	6.0mA max (1.000 - 39.999MHz, Vdd=3.0 ± 0.3V) 7.0mA max (40 - 79.999MHz, Vdd=3.0 ± 0.3V) 10.0mA max (80 - 125.000MHz, Vdd=3.0 ± 0.3V)
Supply Current: (Full Load)	9.0mA max (1 - 39.999MHz, Vdd=3.0 ± 0.3V) 10.0mA max (40 - 79.000MHz, Vdd=3.0 ± 0.3V) 16.0mA max (80 - 125.000MHz, Vdd=3.0 ± 0.3V)
Symmetry:	45/55% max. @ 1/2Vdd
Rise and Fall Times (Tr/Tf):	5ns max. (+25°C, 15pF out put load, 10/90% Vdd.)
Output Load:	15pF max., 10kohms min.
Output Voltage:	VOH = 0.9*Vdd min. (1.000MHz-79.999MHz); VOL = 0.1*Vdd min (1.000MHz-79.99MHz) VOL = 0.8*Vdd min. (80.000MHz-125.000MHz); VOL = 0.2*Vdd min. (80.000MHz-125.000MHz)
Start-up-time:	10mS max
Enable time:	5mS max
Disable time:	100ns max.
Tri-State Function (Stand-by):	"1" or open: Oscillation "0": No oscillation/Hi Z
Stand-by Current	1uA max.
Aging at +25°C per year:	± 5ppm max.

OPTIONS AND PART IDENTIFICATION: (Left blank if standard)

ASFLM1 - Frequency - □ - □ - □

Frequency	Operating Temp.	Freq. Stability	Packaging
XX.XXXX MHz	Blank 0°C to +70°C	Blank ± 100 ppm	Blank Tube (73pcs/tube)
** Availability depends on frequency	M -20°C to +85°C	R** ± 25 ppm	T Tape and Reel (1000pcs/reel)
	L* -40°C to +85°C	C ± 50 ppm	

* Please contact Abracon for:

- Temperature Option Availability
- Order assistance for high shock applications
- Order assistance when specifying extended temperature range options

ABRACON IS
ISO 9001 / QS 9000
CERTIFIED

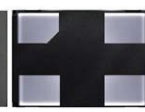


**ABRACON
CORPORATION**

Visit www.abracon.com for Terms & Conditions of Sale **Revised: 04.14.08**
30332 Esperanza, Rancho Santa Margarita, California 92688
tel 949-546-8000 | fax 949-546-8001 | www.abracon.com

ULTRA MINIATURE PLASTIC PACKAGE PURE SILICON™ CLOCK OSCILLATOR

ASFLM1



Life Size

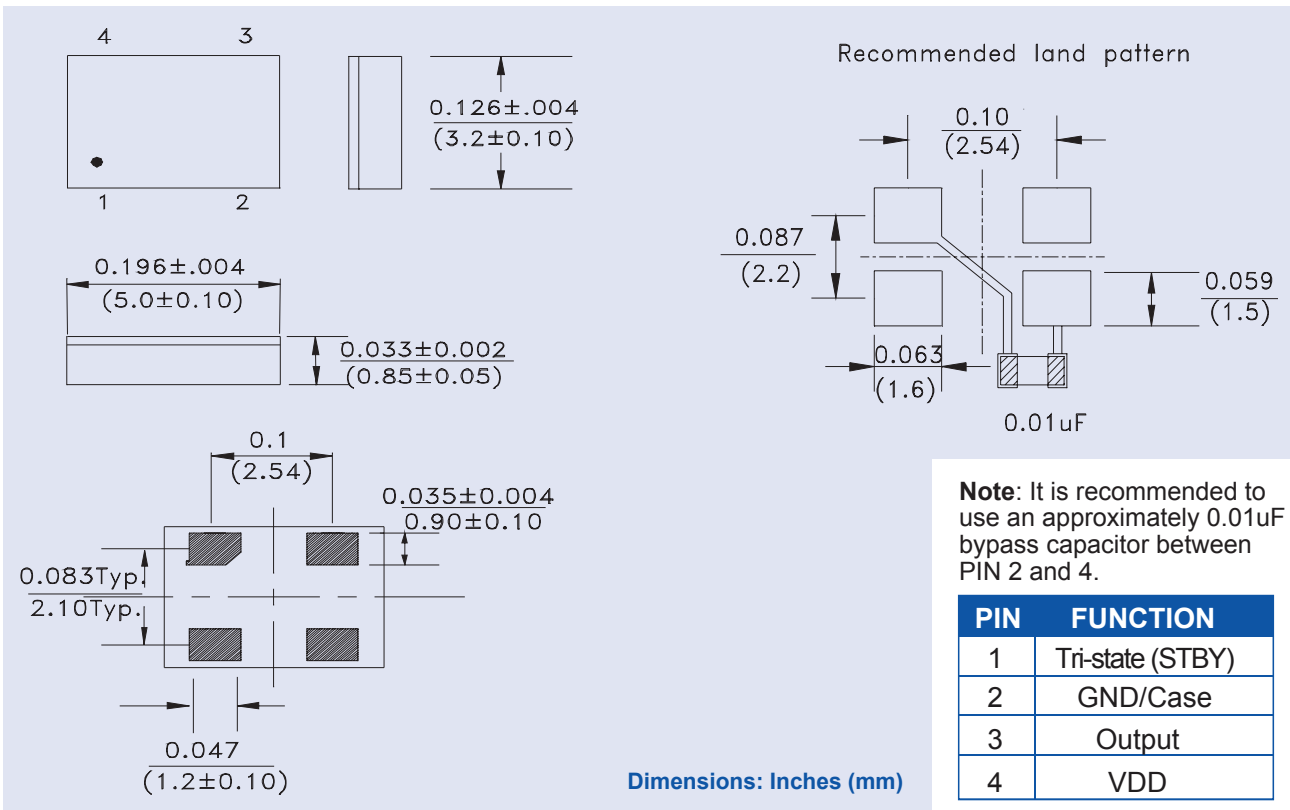


5.0 x 3.2 x 0.85mm

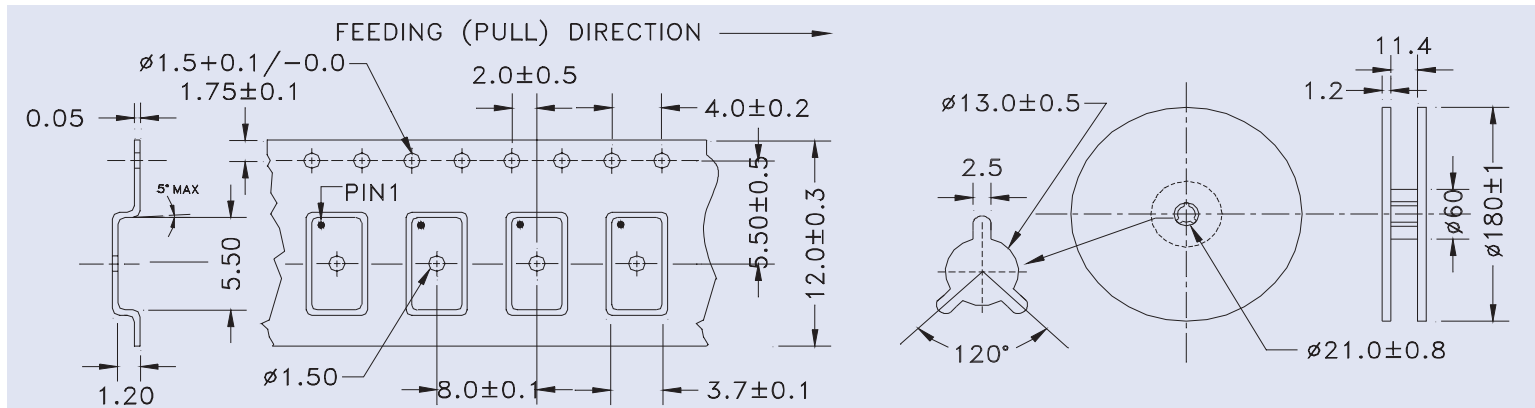
ASFLM1



OUTLINE DRAWING:

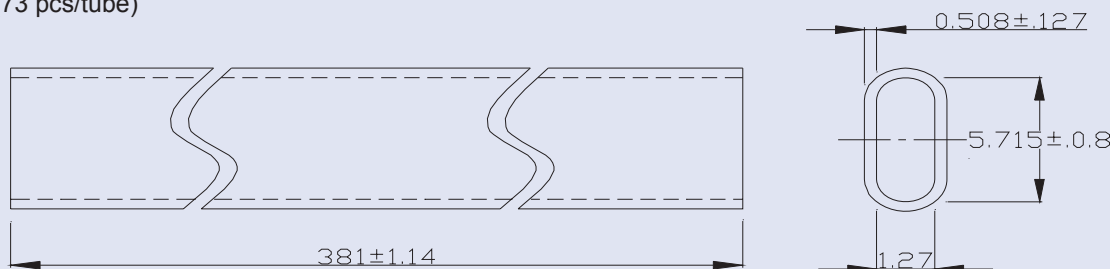


TAPE & REEL: Tape and reel 1,000pcs/reel



TUBE PACKAGING:

Tube (73 pcs/tube)



Dimensions: mm

ABRACON IS
ISO 9001 / QS 9000
CERTIFIED



Visit www.abracon.com for Terms & Conditions of Sale **Revised: 04.14.08**
30332 Esperanza, Rancho Santa Margarita, California 92688
tel 949-546-8000 | fax 949-546-8001 | www.abracon.com