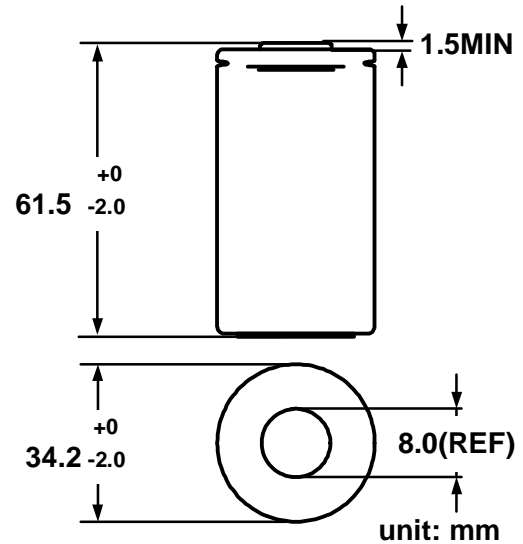
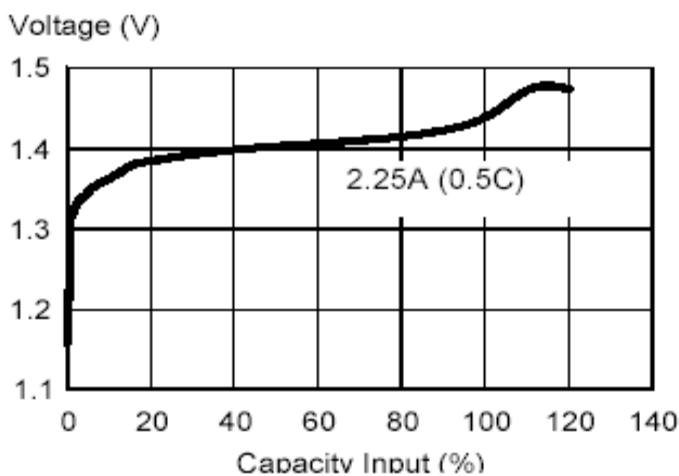


Model No.: GP450DHC

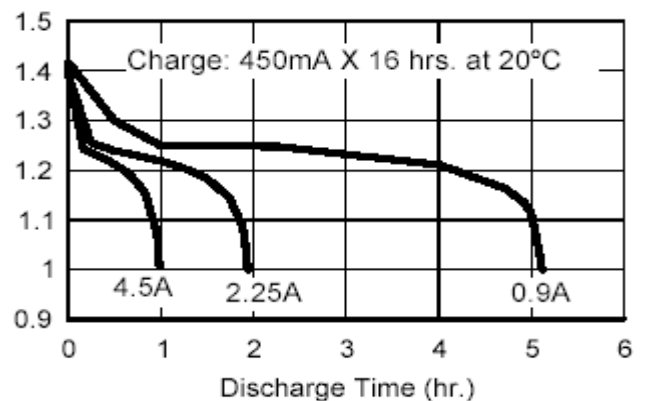
Type	: Rechargeable Nickel Metal Hydride Cylindrical Cell
Nominal Dimension (with Sleeve)	: $\Phi = 34.2\text{mm}$ H = 61.5mm
Applications	: Recommended discharge current 2250mA to 13.5A
Nominal Voltage	: 1.2V
Capacity	: Nominal: 4500mAh Minimum: 4500mAh Typical: 4500mAh When discharged at 900mA to 1.0V at 20°C
Charging Condition	: 450mA for 16hrs at 20°C
Fast Charge	: 0.9A to 2.25A (0.2 to 0.5C) charge termination control recommended control parameters: - ΔV : 5-10mV DT/dt : 0.8°C/min TCO : 45 - 50°C Timer : 105% nominal input
Service Life	: >500cycles (IEC standard) Up to 1000 cycles (not less than 60% of nominal at 0.1C charge / 0.2C discharge)
Continuous Overcharge	: 450mA maximum current for 1 year. No conspicuous deformation and/or Leakage
Weight	: 130g
Internal Resistance	: Average 8m Ω upon fully charged (Range 5-10m Ω) at 1000Hz
Max. Charging Voltage	: 1.5V at 450mA charging
Ambient Temperature Range	: Standard Charge : 0 to 40°C Fast Charging : 10 to 45°C Discharge : -20 to 50°C Storage : -20 to 35°C Storage(1 week) : -20 to 60°C



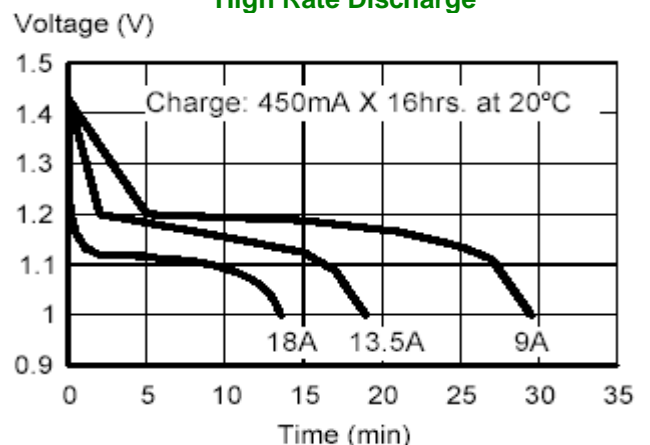
Fast Charge (Charge Control required)



Low Rate Discharge



High Rate Discharge



The information (subject to change without prior notice) contained in this document is for reference only and should not be used as a basis for product guarantee or warranty. For applications other than those described here, please consult your nearest GP Sales and Marketing Office or Distributors.

MRS6087rev0