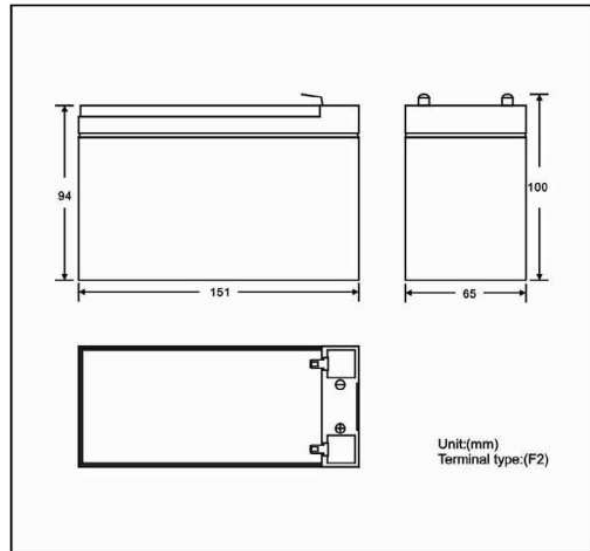




## VIPOW 12V 7.5Ah



### Specifications

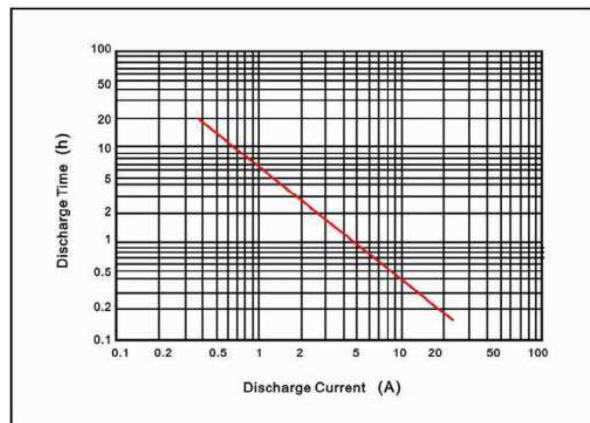
LP7.5-12		
Nominal Voltage	12V	
Rated Capacity (20 hours rate)	7.5Ah	
Dimension (±2mm)	Total Height (with terminals)	100mm
	Length	151mm
	Width Height	65mm 94mm
Weight (Approx)	2.45Kg	

### Characteristics

Capacity	20 hours rate (0.375A)	7.5Ah
Discharge Current Testing (25°C)	20 I <sub>20</sub> rate (7.5A, 27min) 60 I <sub>20</sub> rate (22.5A, 7min)	39min 8.5min
Internal Resistance	Full Charged Battery 25°C	21mΩ
Capacity Affected By Temperature (20 hours rate)	40°C 25°C 0°C -15°C	102% 100% 85% 62%
Residual Capacity (25°C)	Capacity After 3 Months Storage Capacity After 6 Months Storage Capacity After 12 Months Storage	91% 82% 64%
Cycle (Above 300 Time)	Discharge 2hrs at 1.875A Current Charge 6hrs at 0.75A Current (25°C)	
Charge (Constant Voltage)	Cycle (25°C)	Initial Charging Current Less Than 2.25A; Voltage 14.5~14.9V
	Float (25°C)	Charge Voltage 13.6~13.8V

★ The above are average and data obtained from the first 3 charge/discharge cycles. These are not minimum values.

### Discharge Current & Duration Time



### Discharge Current 25°C

