

# ACCU-18650/SPCB



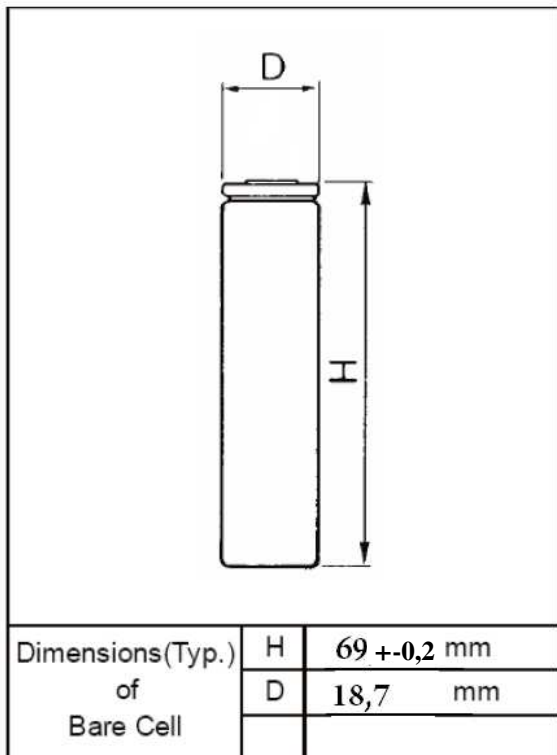
**Battery:** Lithium

**Size :** 18650

**Capacity:** 2600 mAh

**Rated voltage:** 3,7 V

**CELL:** SANYO UR18650F 2600mAh

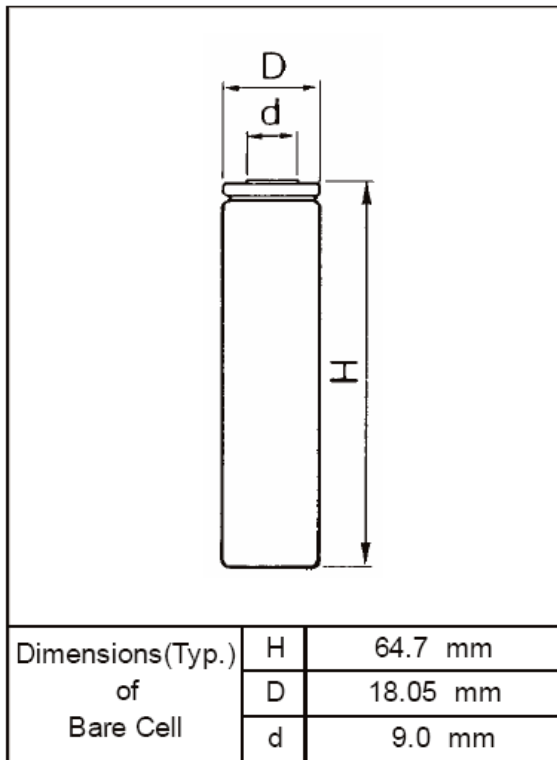


# SANYO

## Lithium ion

# Cell Type UR18650F

## Specifications



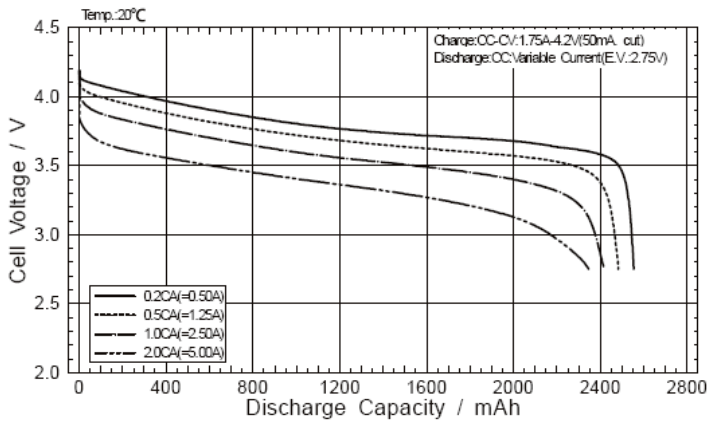
Typical Capacity	2600mAh	
Nominal Capacity	Min.2500mAh	
Nominal Voltage	3,7V	
Charging Method	Constant Current -Constans Voltage	
Charging Voltage	4,2V	
Charging Current	Std.1750mA	
Charging Time	2,5hrs.	
Ambient Temperature	Charge	0~+40°C
	Discharge	-20~+60°C
	Storage	-20~+50°C
Weight (Max.)	47,0g	
Dimensions (Max.)	(D)	18,10mm
	(H)	64,80mm
Volumetric Energy Density	554Wh/l	
Gravimetric Energy Density	196Wh/kg	

\*The maximum thickness of the standard shipment charging condition

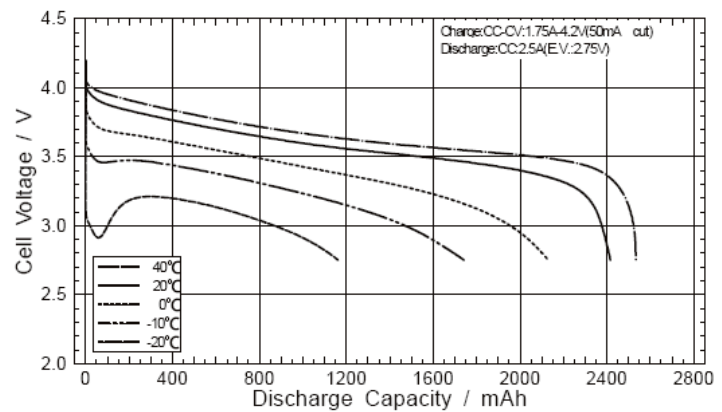
Discharged State after Assembling

### Typical Characteristics

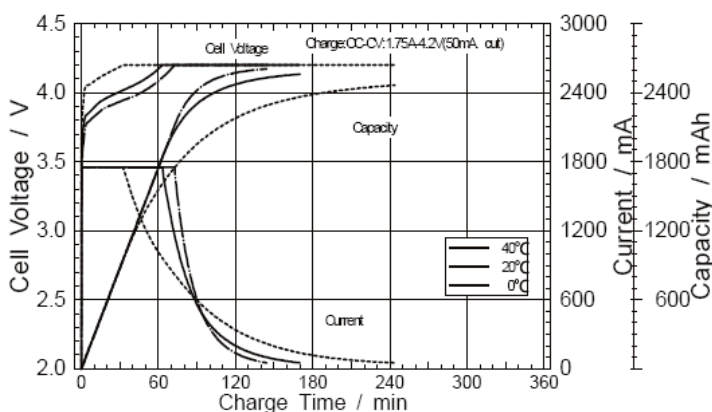
#### Discharge rate characteristics



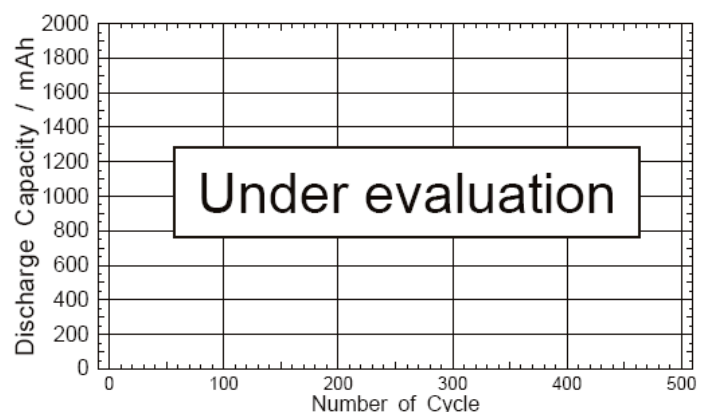
#### Discharge temperature characteristics



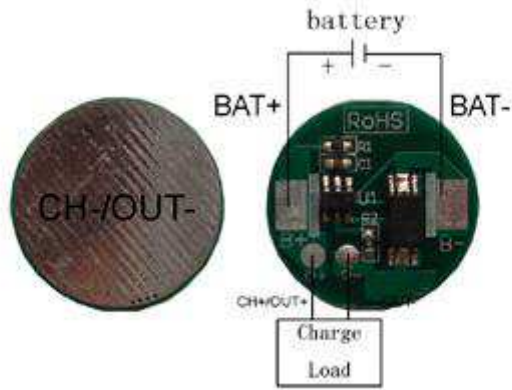
#### Charge characteristics



#### Cycle characteristics



Details :



Technical parameters :

No.	Test item		Criterion
1	Voltage	Charging voltage	CC/CV:Li-ion/Li-polymer(4.2V/cell),LiFePO4(3.6V/cell)
		Balance voltage for single cell	
2	Current	Balance current for single cell	
		Current consumption	≤10μA
		Maximal continuous charging and discharging current	2.5A
3	Over-charge Protection	Over charge detection voltage	3.8~4.4V (can adjust)
		Over charge detection delay time	0.5~2.5S
		Over charge release voltage	3.8~4.4V (can adjust)
4	Over-discharge Protection	Over discharge detection voltage	1.9~3.1V (can adjust)
		Over discharge detection delay time	50~300mS
		Over discharge release voltage	1.9~3.1V (can adjust)
5	Over-Current Protection	Over current detection voltage	0.06~0.6V
		Over current detection current	1~5A
		Detection delay time	1~50ms
		Release condition	Cut load
6	Short Protection	Detection condition	Exterior short circuit
		Detection delay time	200-500us
		Release condition	Cut load
7	Resistance	Protection circuitry (B- to P-)	≤60mΩ
8	Temperature	Operating temperature range	-40~+85°C
		Storage temperature range	-40~+125°C
9	Size		18mm