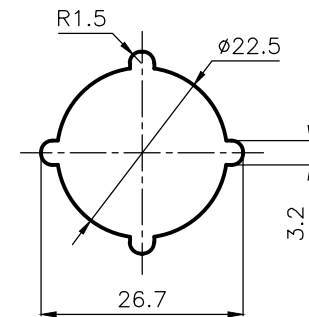
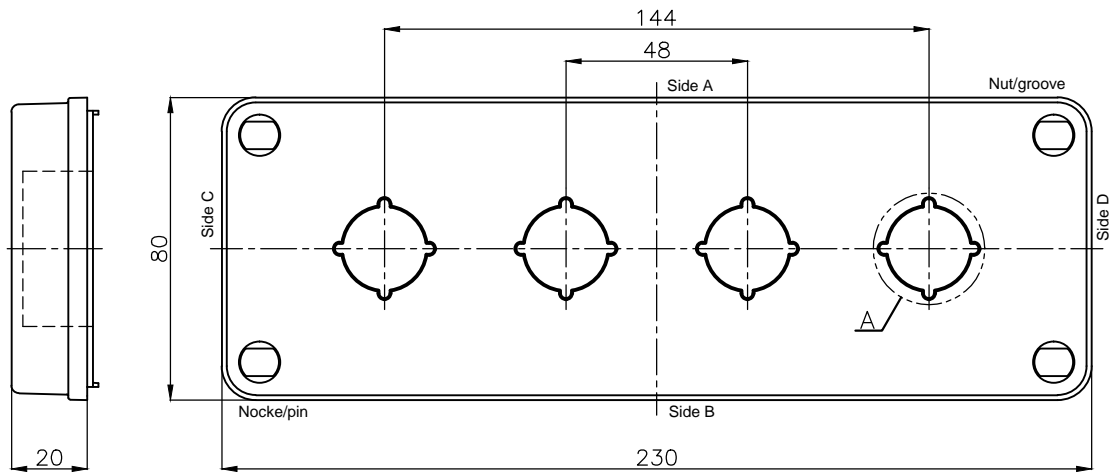
			Dimensions without Tolerances	Material ABS	Customer drawing	–	Scale 1:2
			ISO 2768–mk		Customer	FIBOX Sp. z o.o.	Format A4
Rev.	Date	Rev. note	Date	950261	Article	ABS F Base	
			Design	Drabek Paweł	Article no.	8522808	
					Description	ABS F 65 G	
					Drawing no.	0950261	Page 1/2





View A
Scala 1:1

			Dimensions without Tolerances	Material ABS	Customer drawing	-	Scale 1:2
			ISO 2768-mk		Customer	FIBOX Sp. z o.o.	Format A4
Rev.	Date	Rev. note	Date	2012-05-02	Article	F 20 AG Cover	
			Design	Drabek Paweł	Article no.	8722818	
					Description	ABS F 65 G	
					Drawing no.	0950261	Page 2/2

