






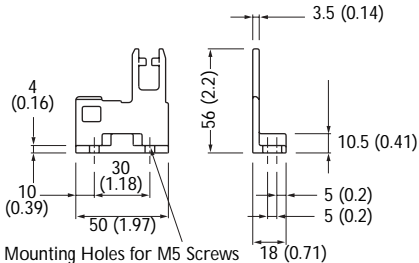

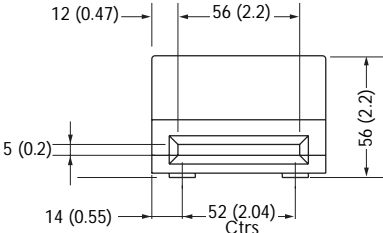

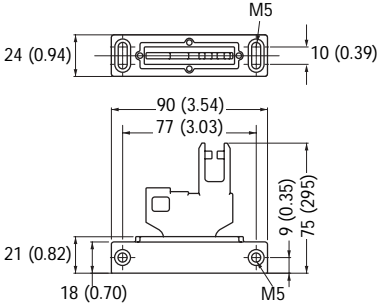


Accessories

**440A-A07265...440A-A09197**


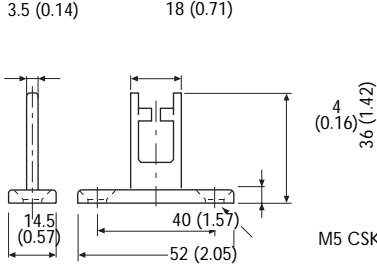

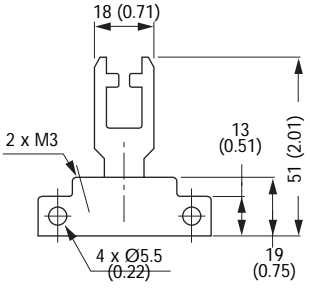

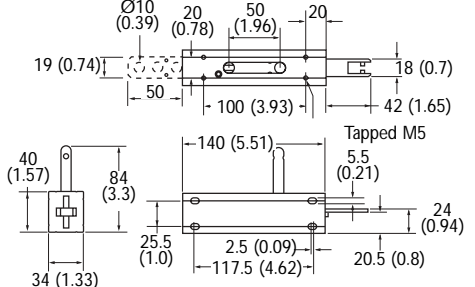


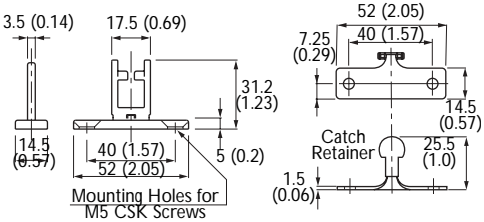

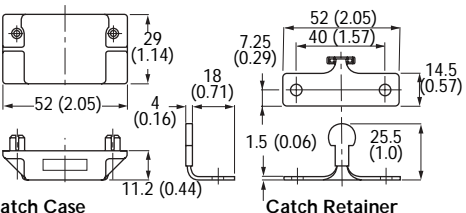
Item	Description	Catalogue Number
	Blanking Plug, M20 Conduit	440A-A07265
	Cable Grip, M16 Conduit Accommodates Cable Diameter 4mm (0.16in) to 7mm (0.27in)	440A-A09004
	Security Bit	440A-A09015
	Screwdriver Including Security Bit	440A-A09018
	Cable Grip, Pg16 Conduit Accommodates Cable Diameter 12mm (0.47in) to 14mm (0.55in)	440A-A09025
	Cable Grip, M20 Conduit Accommodates Cable Diameter 7mm (0.27in) to 10.5mm (0.41in)	440A-A09028
	Adaptor, Conduit, M20 to 1/2in NPT, Plastic	440A-A09042
	Bulb, 240V for Conduit Pilot Light 0.75W T-3¼ Bulb, Miniature Screw Base	440A-A09054
	Bulb, 110V for Conduit Pilot Light 2.6W T-3¼ Bulb, Miniature Screw Base	440A-A09055
	Bulb, 24V for Conduit Pilot Light 2.8W T-3¼ Bulb, Miniature Screw Base	440A-A09056
	Adaptor, Conduit, 1/2in NPT to M16, Brass	440A-A09093
	Adaptor, Conduit, M16 to 1/2in NPT, Brass	440A-A09094
	Fuse, 250mA Bussmann Catalogue Number ETF-250mA	440A-A09196
	Fuse, 2A Bussmann Catalogue Number ETF-2	440A-A09197

Accessories  
**440A-A17029...440G-A07269**


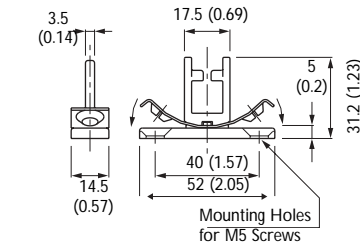

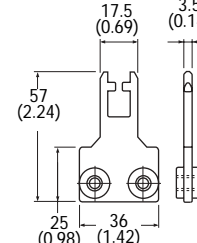

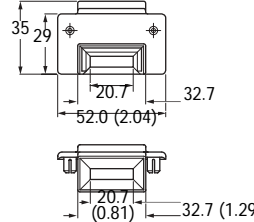

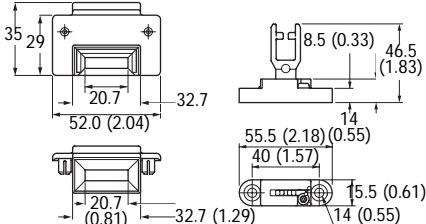

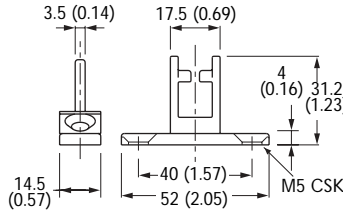

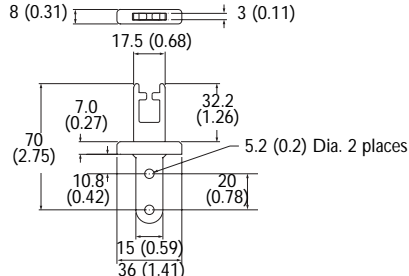
Item	Description	Approximate Dimensions—mm (inches)	Catalogue Number
	Screw Pack (16 Security Screws M4 x 20mm & Bit)	—	440A-A17029
	Screw Pack (10 Security Screws M5 x 20mm & Bit)	—	440A-A17030
	Indicator, M20 Conduit Pilot Light—Amber	—	440A-A19001
	Indicator, M20 Conduit Pilot Light—Red	—	440A-A19002
	Indicator, 1/2in NPT Conduit Pilot Light—Amber	—	440A-A19005
	Indicator, 1/2in NPT Conduit Pilot Light—Red	—	440A-A19007
	Atlas Standard Actuator		440G-A07136
	Atlas Replacement End Cap		440G-A07180
	Atlas Fully Flex Actuator		440G-A07269

Accessories

440G-A27011...440K-A11094


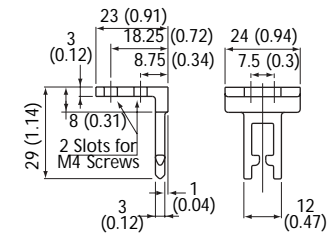

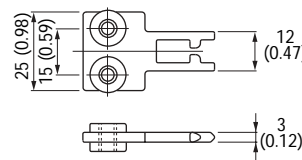

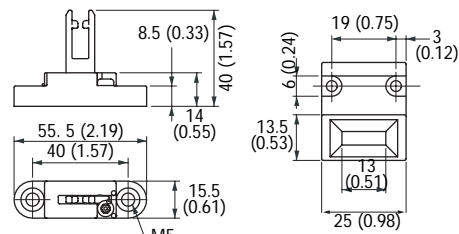

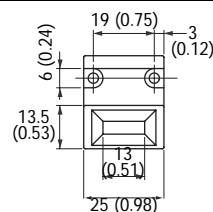

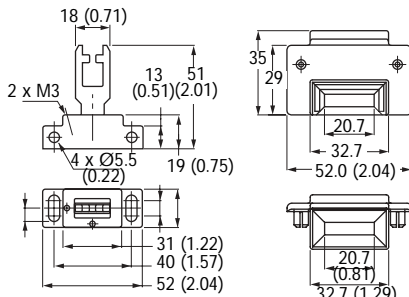

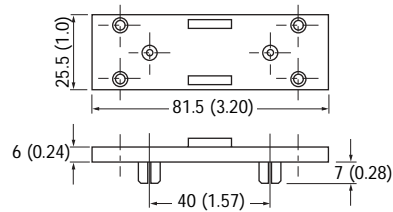

Item	Description	Approximate Dimensions—mm (inches)	Catalogue Number
	GD2 Standard Actuator (GD2 model only)	 <p>3.5 (0.14)      18 (0.71)</p> <p>14.5 (0.57)      40 (1.57)      52 (2.05)</p> <p>4 (0.16)      36 (1.42)</p> <p>M5 CSK</p>	440G-A27011
	Fully-Flexible Actuator (GD2 model only)	 <p>18 (0.71)</p> <p>2 x M3</p> <p>13 (0.51)      51 (2.01)</p> <p>4 x Ø5.5 (Ø2.2)</p> <p>19 (0.75)</p>	440G-A27143
	Sliding Bolt Actuator (GD2 model only)	 <p>Ø10 (0.39)      20 (0.78)      50 (1.96)      20</p> <p>19 (0.74)      50      100 (3.93)      18 (0.7)</p> <p>40 (1.57)      84 (3.3)      140 (5.51)      Tapped M5</p> <p>25.5 (1.0)      2.5 (0.09)      5.5 (0.21)      24 (0.94)</p> <p>34 (1.33)      117.5 (4.62)      20.5 (0.8)</p>	440G-A27163
	Spartan/TLS-GD2/ 440G-MT Solenoid Emergency Override	—	440G-A36026
	Spartan Replacement Actuator with Catch Retainer and Guide	 <p>3.5 (0.14)      17.5 (0.69)      52 (2.05)</p> <p>14.5 (0.57)      40 (1.57)      52 (2.05)</p> <p>7.25 (0.29)      40 (1.57)      31.2 (1.23)</p> <p>5 (0.2)      14.5 (0.57)</p> <p>Mounting Holes for M5 CSK Screws</p> <p>Catch Retainer</p> <p>25.5 (1.0)</p> <p>1.5 (0.06)</p>	440G-A36050
	T15/Trojan 5/Trojan 6 Catch and Retainer Kit (Standard Model Only)	 <p>29 (1.14)      52 (2.05)      4 (0.16)</p> <p>18 (0.71)</p> <p>7.25 (0.29)      52 (2.05)      40 (1.57)</p> <p>14.5 (0.57)</p> <p>1.5 (0.06)      25.5 (1.0)</p> <p>Catch Case</p> <p>Catch Retainer</p>	440K-A11094

440K-A11095...440K-A17116

Item	Description	Approximate Dimensions—mm (inches)	Catalogue Number
	Trojan 5 and Trojan 6 Standard Actuator (Standard Model Only)		440K-A11095
	Trojan/440G-MT/TLS-GD2/MT-GD2 Flat Actuator		440K-A11112
	Replacement Alignment Guide		440K-A11115
	Trojan Alignment Guide with Semi-Flexible Actuator (Discard the Alignment Guide for GD2)		440K-A11144
	Trojan T15 Standard Actuator (Standard model only)		440K-A11238
	440G-MT/TLS-GD2/Trojan/MT-GD2 Extended Flat Actuator		440K-A17116

Accessories

440K-A21006...440R-A31562

Description		Approximate Dimensions—mm (inches)	Catalogue Number
	<p>Elf/Cadet 90° Actuator</p>		<p>440K-A21006</p>
	<p>Elf/Cadet Flat Actuator</p>		<p>440K-A21014</p>
	<p>Elf/Cadet GD2 Metal Alignment Guide with Semi-Flexible Actuator</p>		<p>440K-A21030</p>
	<p>Elf/Cadet Alignment Guide</p>		<p>440K-A21069</p>
	<p>TLS-GD2/Trojan/ MT-GD2 Alignment Guide with Fully-Flexible Actuator (Discard the Alignment Guide for GD2)</p>		<p>440K-A27010</p>
	<p>Mounting Plate</p>		<p>440K-A33624</p>
	<p>Fuse, 500mA Bussmann Catalogue Number ETF-500mA</p>	<p>—</p>	<p>440R-A31562</p>