

A2D250-AA02-01

AC axial fan

straight blades (A series)



ebm-papst Mulfingen GmbH & Co. KG

Bachmühle 2

74673 Mulfingen

Phone: +49 7938 81-0

Fax: +49 7938 81-110

www.ebmpapst.com

info1@de.ebmpapst.com

Nominal data

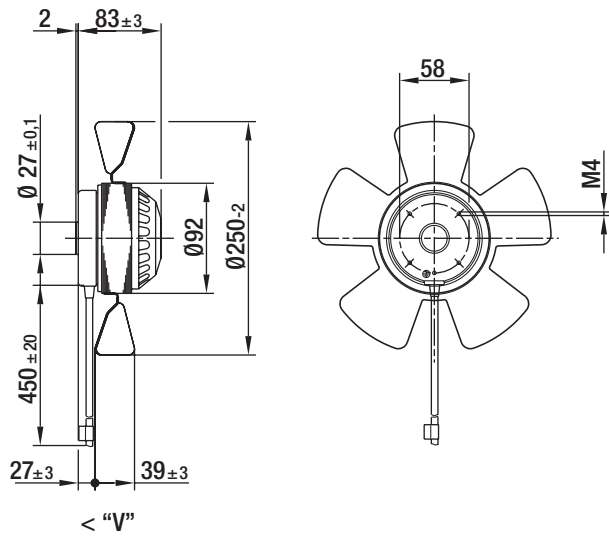
Type	A2D250-AA02-01		
Motor	M2D068-DF		
Phase		3~	3~
Nominal voltage	[V]	400	400
Connection		Y	Y
Frequency	[Hz]	50	60
Type of data definition		rfa	rfa
Valid for approval / standard		CE	CE
Speed	[min ⁻¹]	2650	2950
Power input	[W]	110	160
Current draw	[A]	0.22	0.26
Max. back pressure	[Pa]	205	300
Max. ambient temperature	[°C]	70	40
Air flow	[m ³ /h]	1685	1845
Back pressure	[Pa]	0	0
Sound pressure level	[dB(A)]	72	75

ml = max. load · me = max. efficiency · rfa = running at free air · cs = customer specs · cu = customer unit
Subject to alterations

Technical features

Leakage current	< 0,75 mA
Size	250 mm
Operation mode	Continuous operation (S1)
Direction of air flow	"V"
Insulation class	"B"
Cable exit	Lateral
Bearing-motor	Ball bearing
Mass	2.2 kg
Material of impeller	Sheet steel, coated in black
Number of blades	5
Type of protection	IP 44
Protection class	I
Approval	CCC

Product drawing

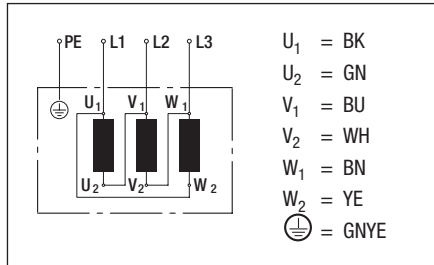


AC axial fan

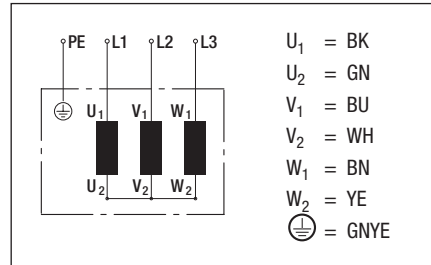
straight blades (A series)

Connection screen

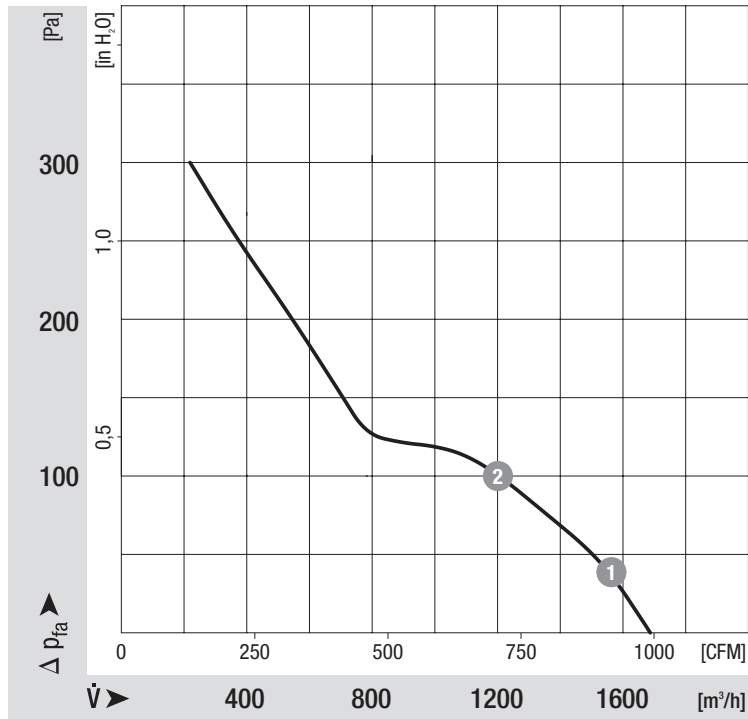
Delta (3~ 230 VAC)



Star (3~ 400 VAC)



Charts: Air flow 50 Hz



	n	P ₁	I
	[min ⁻¹]	[W]	[A]
1	2645	123	0.23
2	2615	131	0.24

Charts: Air flow 60 Hz

